

# PHILIPS

## EcoSet

Basic control



Simple



Reliable



Affordable



# EcoSet Standalone - Waterproof WT198 with Microwave sensor – Product details

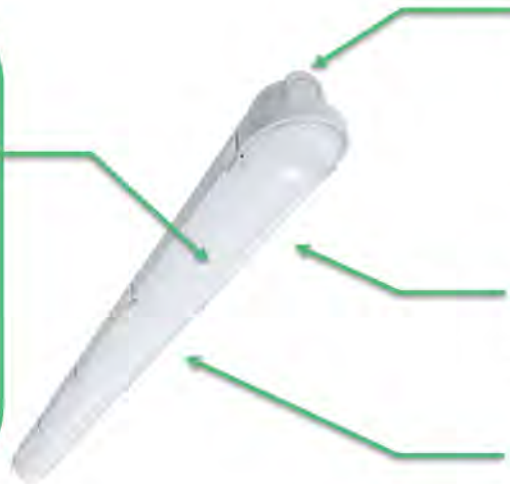
โคมไฟกันน้ำกันฝุ่น LED คุณภาพสูงพร้อมเซ็นเซอร์

## Automatic energy saving

- **Microwave** sensing technology, **Movement** detecting
- Design optimized for **car & people detecting**
- Sensing installation **height 2.5-4m**
- Detecting radius **up to 4m**
- **Two step-dimming** 20% and 100%
- Hold on time **1 minute**
- **Suitable for high temperature environment** up to +45°C
- **EU RED qualified** – safer and healthier for human beings



Microwave sensor integrated



## Easy installation

- Surface mounted & Suspended
- External connector option
- Through wiring available
- Long slider for flexibility



## Superior optics

- High efficacy up to 140lm/W
- High lumen up to 8200lm\*
- Different optics
  - WB – glaring control
  - Lambertian – great uniformity

## Product diversity\*

- L600/L1200/L1500
- 2000/2700/4000/6000/8200lm
- Prismatic/opal cover

\* L600 & L1500 will be available in Q2 2022

## Product Specs

Item	Specification
Lumen output* (typ.Avg) (lm)	L600: 2000 lm* L1200: 2700 / 4000 lm L1500: 6000 / 8000 lm*
lumen tolerance (+/-)	+10% / -10%
CRI	>80
CCT	4000K/6500K
SDCM	<3
Input	220-240V; 50/60Hz
Surge Protection	1kV/2kV
Protection class	Class I
Power Factor (system)	>0.9
System Efficacy (lm/W)	Typ. 140lm/w@4000K
Housing material	UV stabilized material
IPxx / IKxx	IP65 / IK08
Power connection	Toolless connector inside + cable gland outside
Operating temp.	-20°C to +45°C
Lifetime	50khrs @L70B50 @Ta 25°C
Warranty	3yrs
Approbation	CCC/CB/EMC/CE/RED/SAA
RoHS/REACH	RoHS & REACH
Accessories	Mounting bracket

\* L600 & L1500 will be available in Q3, 2022

\*\* Maximum ambient temperature of 7700lm and 8200lm is 40°C.

Item	Specification
Sensor type	Microwave
Mounting height	2.5 - 4m
Detection range (radius) @3m installation height***	=>4m@0.5-1m/s people and car =>2m@2m/s car =>1.5m@3m/s car
Sensor hold on time	1min
Control function	Automatic light <b>step dimming: 20%/100%</b> (Sensor dims up to 100% lumen output when a presence is detected and, dims down to 20% lumen output when no movement is detected)
Room temperature for sensor performance	-20°C to +45°C

\*\*\*The sensor coverage is defined under the typical testing environment.

## Product ordering information

Description	price
WT198X LED265/840 L1 S PCO L1200	4,400
WT198X LED265/865 L1 S PCO L1200	4,400
WT198X LED275/840 L1 S L1200	4,200
WT198X LED275/865 L1 S L1200	4,400
WT198X LED40S/865 L1 S L1200	4,400
WT198X LED38S/840 L1 S PCO L1200	4,400
WT198X LED38S/865 L1 S PCO L1200	4,400
WT198X LED40S/840 L1 S L1200	4,200

\* L600 & L1500 will be available in Q2 2022

# EcoSet Standalone - Batten BN398 with PIR sensor

## – Product details

โคมไฟราง LED คุณภาพสูงพร้อมเซ็นเซอร์

**Mounting flexibility**

- Surface mounted
- Suspended

**Perfect lighting performance**

- High efficacy up to 140lm/W
- High lumen up to 7100lm

**Product diversity**

- L600/L1200/L1500
- 2,000/3700/6900/7100lm
- NW / CW

**Automatic energy saving**

- PIR technology
- Movement detection
- Sensing installation height **2.5-4m**
- Detecting radius **up to 4m**
- Hold on time **5mins**
- **Two step-dimming** 20% and 100%

## Product Specs

Item	Specification
Lumen output (typ.Avg) (lm)	OP version: L600/2200lm; L1200/3700lm; WB version: L600/2000lm; L1200/3800lm;
lumen tolerance (+/-)	+12% / -10%
CRI	>80; ETO for CRI90
CCT	CCT Fixed: 4000K,8500K
SDCM	SDCM<5
Input	220-240Vac; 50/60Hz
Surge Protection	1kV/2kV
Protection class	Class I
Power Factor (system)	>0.9
System Efficacy (lm/W)	Typ. 140lm/w@4000K
Housing material	Housing: SPCC / Cover: PMMA (>13mm with LED)
IPxx / IKxx	IP20/IK03 for luminaire, IK02 for sensor lens
Power connection	Flying wire
Operating temp.	-20°C to +40°C
Lifetime	50khrs @L70B50 @Ta25°
Warranty	3yrs
Approbation	CCC/CB/EMC/CE
RoHS/REACH	RoHS & REACH
Accessories	Mounting bracket

Item	Specification
Sensor type	PIR
Mounting height	2.5 - 4m
Detection range (radius) @ 3m installation height	Major motion 3m Minor motion 2m
Sensor hold on time	5mins
Control function	Automatic light <b>step dimming: 20%/100%</b> (Sensor dims up to 100% lumen output when a presence is detected and, dims down to 20% lumen output when no movement is detected)
Room temperature for sensor performance	0-30°C

## Product ordering information

Description	price
BN398X LED20/840 L600 L1 S OP	3,800
BN398X LED20/840 L600 L1 S WB	4,200
BN398X LED20/865 L600 L1 S OP	3,800
BN398X LED20/865 L600 L1 S WB	4,200
BN398X LED40/840 L1200 L1 S OP	4,600
BN398X LED40/840 L1200 L1 S WB	6,000
BN398X LED40/865 L1200 L1 S OP	4,600
BN398X LED40/865 L1200 L1 S WB	6,000

# EcoSet Standalone – OccuSwitch PIR 2-in-1 mounting sensor

## – Product details

เซ็นเซอร์ตรวจสอบการเคลื่อนไหวและแสง

### Superior combability

- Support up to **800W load** @normal operation mode
- **100A** maximum load inrush current (for LCM 1060 only)
- Philips system (sensor + luminaire application) guaranteed

Lum type	Qty of luminaire one sensor can support up to (for LCM 1060 only)
RC048	10
RC095	12
RC091	12
BN006	15
BN058	15
RC160	12
RC099	12
RC132	12



### Automatic energy saving

- **Movement & Daylight** detecting
- **PIR** sensing technology
- Sensing installation **height 2.5-4m**
- Detecting radius **up to 3m**
- **Daylight switching**
- **Daylight override** available
- **Daylight level adjustable**
- **Hold on time adjustable**
- **Detecting angle adjustable**

### Easy installation

- **2-in-1 installation** - surface mounted & Suspended



## Product Specs

Item	Specification
Maximum wire range	0.75 to 1.5 mm <sup>2</sup>
Input	LCM1060: 220-240Vac; 50/60Hz
Surge Protection	LCM1060: 1kV/2kV
Max. load inrush current	LCM1060: <b>100A</b>
Protection class	Class I
Housing material	PC
IPxx	IP20
Room temperature for sensor operation	-20°C to +55°C
Room temperature for sensor performance	0°C to +30°C
Lifetime	50khrs @Ta25°
Warranty	3yrs
Approbation	CE (for LCM1060 only)
RoHS/REACH	RoHS & REACH
Mounting	Surfaced and Recessed mounting

Item	Specification
Sensor type	PIR & Daylight switching
Mounting height	2.5 - 4m
Detection range (radius) @ typical mounting height 3m	Major detection: 3m Minor detection: 2m
Light levels	Disable/10/30/100lux
Daylight override	Yes
Switch off delay (hold on time)	2(default)/5/15/30 mins
Control function	Switch the lights on automatically when presence is detected and switch the lights off after the area is vacated (after 2 to 30 minutes depending on the settings)

## Product ordering information

Description	price
SES LCM1060 Occ PIR WH	1099

## EcoSet Wireless

### System specification

Recommend Application	Parking	Office	Warehouse
Control method	<b>Commissioning Free</b> Distance control-based	<b>One Touch Commissioning</b> Group control	<b>Easy Commissioning</b> Group control
Luminaire default control mode	<b>Commissioning Free</b> Distance control-based		<b>Standalone control</b>
Grouping nodes max.	Based on distance	50 nodes	
Hold time	3min default(3/10/15/30)		10min default(3/10/15/30)
Background level	20% default (20%/30%/50%/70%)		
Dimming range	NA	20%-100% (dimming step by 10%)	20%-100% (dimming step by 10%)
Light off after prolong time	No	15min	No
Dwell time (Auto Dimming disable after operate RC/switch	NA	30min	NA
DDR (Daylight harvesting)	NA	NA	Disable(disable/enable)

## EcoSet Wireless

### System specification

Recommend Application	Parking	Office	Warehouse
Group nodes	Based on distance	50 nodes	50 nodes
Sensor type	PIR	PIR	PIR & Daylight
Sensor lifetime	50,000hrs	50,000hrs	50,000hrs
Detection type	Motion	Motion	Motion & Daylight harvesting
Sensor installation height	2-4m	2-4m	6-12m
Sensor detection range	Major detection: 3m radius @3m height Minor detection: 2m radius @3m height		<ul style="list-style-type: none"> <li>▪ Detection diameter = installation height (6-10m)</li> <li>▪ Detection diameter=10m@12m height</li> </ul>
Sensor power	Powered by AA Battery *2 @3yrs battery lifetime (typical application)		Powered by L1 driver

# EcoSet Wireless – Highbay BY698 G5 with PIR sensor

## Product details

โคมไฟไฮเบย์ LED คุณภาพสูงพร้อมเซ็นเซอร์ และระบบควบคุมแบบไร้สาย

### Excellent luminaire performance

- High energy LED efficacy of 160lm/W
- Excellent lifetime **50,000hrs L80 @Ta 35°C**
- Wide lumen output range (10klm-30klm) to match application needs
- Enhanced glare control, UGR 25 for WB and UGR 22 for NB (ETO)
- Protected lighting system IP65
- Best-in-class quality - aluminum die-casting heatsink & complete cluster of reliability test
- Best of the best - Red Dot Design Award 2022 winner



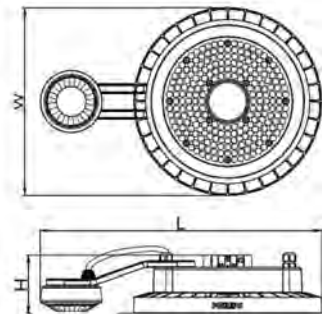
### Automatic energy saving

- Movement detecting
- Daylight harvesting switchable
- Reliable PIR & Daylight sensing technology design
- Sensing installation height **6 - 12m**
- Detecting radius **up to 5m**
- Background light level adjustable 20% default (20%/30%/50%/70%)
- Hold on time adjustable default 10 min (3/10/15/30)
- Dimming level 20%-100% (dimming step by 10%)
- Wireless grouping up to 50nodes in one group

## Product Specs

Luminaire specification					
Types (BY698P G5 L1 W)	LED105	LED150	LED200	LED250	LED300
Lumen Output (typ.)	10500lm	15000lm	20000lm	25000lm	30000lm
System Power (typ.)	67W	95W	126W	157W	192W
Tolerance			-10%/+10%		
System Efficacy (typ.)			160lm/W		
CCT (typ.)			4000K / 6500K		
CRI			80		
Color consistency			5 SDCM		
IP/IK rating			IP65 / IK08		
Classification			Class I		
Operation Temperature			-30°C to +50°C (Ta35°C)		
Lifetime			50Khrs L80B50 @35°C		
Optics			WB; NB (ETO)		
UGR (typ.)			UGR 25 (WB); UGR 22 (NB, ETO)		
Input Voltage			220-240V, 50/60 Hz		
Power factor			0.95		
Surge projection			2KV/4KV		
THD			<15% (<20% for LED105 PSU)		
Flicker (Max. driver ripple)			<30%		
Mounting / Installation	Suspension (Pipe, Suspension Mounting); Surfaced (Bracket) Pipe included in the package for GC version Suspension Mounting included in the package for others Optional: Bracket				
Warranty	3 years				
Housing Color	RAL7012				
Certification	CCC/CB/EMC/CE/SAA/RED				

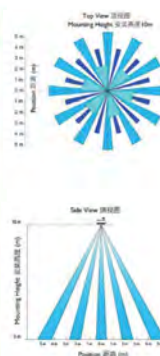
## Product Dimension



	LED105	LED200	LED250
	LED150	LED300	
Length (mm)	435	470	530
Width (mm)	290	330	393
Height (mm)	100	110	110
Weight (Kg) – EcoSet wireless	2.1	2.8	4.5

### Sensor specification

Item	Specification
Sensor type	PIR & Daylight
Detection type	Motion and daylight harvesting
Mounting height	6 - 12m
Detection range (diameter)	Diameter = Height @mounting height 6-10m; Diameter = 10m @mounting height 10-12m
Hold time	10min default (3/10/15/30min)
Background light level	20% default (20%/30%/50%/70%)
Dimming level	20%-100% (dimming step by 10%)
Temp range	-30°C...+50°C
IP/IK rating	IP65 / IK03
Daylight Sensing	Yes (disable by default)
Field Configuration	Via EcoSet remote controller
Wireless Protocol	BLE Mesh & IR receiver
Grouping nodes	Up to 50 nodes in one group



## Product ordering information -GM

Description	price
BY698X G5 LED105/NW L1 W WB GM L3m	14,000
BY698X G5 LED105/CW L1 W WB GM L3m	14,000
BY698X G5 LED150/NW L1 W WB GM L3m	14,800
BY698X G5 LED150/CW L1 W WB GM L3m	14,800
BY698X G5 LED200/NW L1 W WB GM L3m	16,600
BY698X G5 LED200/CW L1 W WB GM L3m	16,600
BY698X G5 LED250/NW L1 W WB GM L3m	20,200
BY698X G5 LED250/CW L1 W WB GM L3m	20,200
BY698X G5 LED300/NW L1 W WB GM L3m	21,000
BY698X G5 LED300/CW L1 W WB GM L3m	21,000

# EcoSet Wireless - Waterproof WT198 L1 W

## Product details

โคมไฟกันน้ำกันฝุ่น LED คุณภาพสูงพร้อมระบบควบคุมแบบไร้สาย

### Designed to provide broad options

- **Two options** to set sensor parameter: thru dip switch or remote controller
- **Two network mode** options: parking commissioning free and office one touch commissioning selectable

### Energy saving at the core

- EcoSet wireless driver built in
- Up to **50 nodes** in one group
- Dimming level 20% to 100%
- Background light level adjustable - 20% default (20%/30%/50%/70% )



### Easy installation

- Surface mounted & Suspended
- External connector option
- Through wiring available
- Long slider for flexibility



### Superior optics

- High efficacy up to 140lm/W
- High lumen up to 8200lm
- Different optics
  - WB – glaring control
  - Lambertian – great uniformity

### Product diversity

- L600/L1200/L1500
- 2000/2700/4000/6000/8200lm
- Prismatic/opal cover

## Product Specs

Luminaire specification		
Item	Specification	
Lumen output (typ.Avg) (lm)	<b>Prisma</b>	<b>Opal</b>
	L600: 2000 lm	L600: 1900 lm
	L1200: 2700 / 4000 lm	L1200: 2600 / 3800 lm
	L1500: 6000 / 8200 lm	L1500: 5700 / 7700 lm
lumen tolerance (+/-)	+10% / -10%	
CRI	>80	
CCT	4000K/6500K; 5000K for ETO	
SDCM	<3	
Input	220-240V; 50/60Hz	
Surge Protection	1kV/2kV	
Protection class	Class I	
Power Factor (system)	>0.9	
System Efficacy (lm/W)	Typ. 140lm/w@4000K	
Housing material	UV stabilized material	
IPxx / IKxx	IP65 / IK08	
Power connection	Toolless connector inside + cable gland outside	
Operating temp.	-20°C to +45°C *	
Lifetime	50khrs @L70B50 @Ta 25°C	
Warranty	3yrs	
Approbation	CCC/CB/EMC/CE/RED/SAA	
RoHS/REACH	RoHS & REACH	
Accessories	Mounting bracket	

\* Maximum ambient temperature of 7700lm and 8200lm is 40°C

Wireless specification	
Item	Specification
Field Configuration	Via EcoSet remote controller
Wireless Protocol	BLE Mesh
Grouping nodes	Up to 50 nodes in one group
Network mode	Distance control-based <b>Commissioning Free</b> (default) & <b>One touch commissioning</b> for group control
Background light level	20% default (20%/30%/50%/70% )
Dimming range	20%-100% (dimming step by 10%)

## Product ordering information

Description	price
WT198X LED20S/840 L1 W L600	3,800
WT198X LED27S/840 L1 W L1200	4,400
WT198X LED40S/840 L1 W L1200	4,400
WT198X LED60S/840 L1 W L1500	5,400
WT198X LED82S/840 L1 W L1500	6,600
WT198X LED20S/865 L1 W L600	4,200
WT198X LED27S/865 L1 W L1200	4,600
WT198X LED40S/865 L1 W L1200	4,600
WT198X LED60S/865 L1 W L1500	5,400
WT198X LED82S/865 L1 W L1500	6,400
WT198X LED19S/840 L1 W PCO L600	3,800
WT198X LED26S/840 L1 W PCO L1200	4,600
WT198X LED38S/840 L1 W PCO L1200	4,400
WT198X LED57S/840 L1 W PCO L1500	5,600
WT198X LED77S/840 L1 W PCO L1500	6,200
WT198X LED19S/865 L1 W PCO L600	4,200
WT198X LED26S/865 L1 W PCO L1200	4,800
WT198X LED38S/865 L1 W PCO L1200	4,600
WT198X LED57S/865 L1 W PCO L1500	5,400
WT198X LED77S/865 L1 W PCO L1500	6,000

# EcoSet Standalone - Batten BN398 with PIR sensor

## – Product details

โคมไฟราง LED คุณภาพสูงพร้อมระบบควบคุมแบบไร้สาย

**Designed to provide broad options**

- **Two options** to set sensor parameter: thru dip switch or remote controller
- **Two network mode options:** parking commissioning free and office one touch commissioning selectable

**Energy saving at the core**

- EcoSet wireless driver built in
- Up to 50 nodes in one group
- Dimming level 20% to 100%
- Background light level adjustable - 20% default (20%/30%/50%/70% )

**Mounting flexibility**

- Surface mounted
- Suspended

**Perfect lighting performance**

- High efficacy up to 140lm/W
- High lumen up to 7400lm

**Product diversity**

- L600/L1200/L1500
- 2,200/3700/6800/7400lm
- NW / CW

### Product Specs

Luminaire specification	
Item	Specification
Lumen output (typ.Avg) (lm)	OP version: L600/2200lm; L1200/3700lm; L1200/6800lm; L1500/7400lm WB version: L600/2000lm;L1200/3800lm; L1200/6900lm; L1500/7100lm
lumen tolerance (+/-)	+12% / -10%
CRI	>80; ETO for CRI90 (WB version only)
CCT	CCT Fixed: 4000K,6500K
SDCM	SDCM<5
Input	220-240Vac; 50/60Hz
Surge Protection	1kV/2kV
Protection class	Class I
Power Factor (system)	>0.9
System Efficacy (lm/W)	Typ. 140lm/w@4000K
Housing material	Housing: SPCC / Cover: PMMA (>13mm with LED)
IPxx / IKxx	IP20/IK03
Power connection	Flying wire
Operating temp.	-20°C to +40°C
Lifetime	50khrs @L70B50 @Ta25°
Warranty	3yrs
Approbation	CCC/CB/EMC/CE/RED
RoHS/REACH	RoHS & REACH
Accessories	Mounting bracket

Wireless specification	
Item	Specification
Field Configuration	Via EcoSet remote controller
Wireless Protocol	BLE Mesh
Grouping nodes	Up to 50 nodes in one group
Network mode	Distance control-based <b>Commissioning Free</b> (default) & <b>One touch commissioning</b> for group control
Background light level	20% default (20%/30%/50%/70% )
Dimming range	20%-100% (dimming step by 10%)

### Product ordering information

Description	price
BN398X LED70/865 L1500 L1 W WB	8,000
BN398X LED70/840 L1500 L1 W WB	8,000
BN398X LED69/865 L1200 L1 W WB	6,800
BN398X LED69/840 L1200 L1 W WB	6,800
BN398X LED70/865 L1500 L1 W OP	7,000
BN398X LED70/840 L1500 L1 W OP	7,000
BN398X LED69/865 L1200 L1 W OP	5,800
BN398X LED69/840 L1200 L1 W OP	5,800
BN398X LED40/865 L1200 L1 W WB	6,200
BN398X LED40/840 L1200 L1 W WB	6,200
BN398X LED40/865 L1200 L1 W OP	4,600
BN398X LED40/840 L1200 L1 W OP	4,600
BN398X LED20/865 L600 L1 W WB	4,200
BN398X LED20/840 L600 L1 W WB	4,200
BN398X LED20/865 L600 L1 W OP	3,800
BN398X LED20/840 L600 L1 W OP	3,800



# EcoSet Standalone – GreenPerform RC099V G2 L1 W

## Product details

โคมไฟสำนักงาน LED คุณภาพสูงพร้อมระบบควบคุมแบบไร้สาย

### Mounting flexibility

- Surface mounted
- Suspended

### Perfect lighting performance

- High efficacy up to 110lm/W
- High lumen up to 3800lm

### Product diversity

- W60L60/W30L120
- 3600/3800lm
- 4000K/6500K



### Designed to provide broad options

- **Two options** to set sensor parameter: thru dip switch or remote controller
- **Two network mode** options: parking commissioning free and office one touch commissioning selectable

### Energy saving at the core

- EcoSet wireless driver built in
- Up to 50 nodes in one group
- Dimming level 20% to 100%
- Background light level adjustable - 20% default (20%/30%/50%/70%)

## Product Specs

Luminaire specification	
Item	Specification
System lumen output	<b>GC/GM version</b> 3800lm (UGR22); 3600lm(UGR19) for 595x595/295x1195mm
Voltage	220-240V 50/60Hz
Efficacy	Max: 110lm/w (UGR22); 100lm/w (UGR 19)
Power factor	0.9
SDCM	4
CRI	80
Color temperature	4000/6500K; 5000K ETO
Lifetime	50,000 hours (70% lumen maintenance @ Ta = 25°C)
Operating temp.	-20°C to +40°C
Dimensions	595x595; 295x1195;
Weight	Max: 595*595mm: 1.8kg / 295*1195mm: 2.1kg
Mounting Type	Recessed T-bar; Suspended (through suspension accessory, no frame); Plaster ceiling(through accessory)
IP rating	IP20
Certifications	CB/CCC/CE/RED

Wireless specification	
Item	Specification
Field Configuration	Via EcoSet remote controller
Wireless Protocol	BLE Mesh
Grouping nodes	Up to 50 nodes in one group
Network mode	Distance control-based Commissioning Free (default) & One touch commissioning for group control
Background light level	20% default (20%/30%/50%/70%)
Dimming range	20%-100% (dimming step by 10%)

## Product ordering information

Description	price
RC099X G2 LED38/840 W60L60 L1 W	call
RC099X G2 LED38/840 W30L120 L1 W	call
RC099X G2 LED38/865 W60L60 L1 W	call
RC099X G2 LED38/865 W30L120 L1 W	call
RC099X G2 LED36/840 W60L60 L1 W OC	call
RC099X G2 LED36/840 W30L120 L1 W OC	call
RC099X G2 LED36/865 W60L60 L1 W OC	call
RC099X G2 LED36/865 W30L120 L1 W OC	call

# EcoSet Wireless – office & parking sensor

## Product details

เซ็นเซอร์พร้อมระบบควบคุมแบบไร้สาย

### Designed to provide broad options

- **Two options** to set sensor parameter: thru dip switch or remote controller
- **Two network mode** options: parking commissioning free and office one touch commissioning selectable

### Energy saving at the core

- **Movement & Daylight** detecting
- **PIR** sensing technology
- Sensing installation **height 2.5-4m**
- Detecting radius **up to 3m**
- Hold time **adjustable**
- **Detecting angle adjustable**

### Best-in-class quality

- **Robust reset button** design - IP65 to secure reliability
- **IP65 housing** available for parking application

## Product Specs

Item	Specification
Power	AA battery *2pcs
Battery lifetime	3yrs@ typical application
Housing material	PC
IPxx	IP20/ IP65
Room temperature for sensor operation	-20°C to +50°C
Room temperature for sensor performance	0°C to +30°C
Lifetime	50khrs @Ta25°
Warranty	3yrs
Approbation	CE, CB, RED
RoHS/REACH	RoHS
Installation	Surfaced mounting

Item	Specification
Sensor type	PIR
Mounting height	2.5 - 4m
Detection range (radius) @ typical mounting height 3m	Major detection: 3m Minor detection: 2m
Switch off delay (hold time)	3(default)/10/15/30 mins
Control function	Switch the lights on automatically when presence is detected and switch the lights off after the area is vacated
Control Protocol	BLE Mesh
RF Frequency	2.4G
Radio power range	3-15m adjustable

## Product ordering information

Description	price
SEG101 PIR IP65 Wireless WH	2,600