

An aerial night photograph of a city skyline, likely New York City, showing a dense cluster of illuminated skyscrapers and buildings. In the foreground, a river (likely the Hudson River) is visible, with a long, low structure (possibly a bridge or pier) extending into the water, illuminated with warm lights. The text "Uni Façade Lighting" is overlaid in the center of the image in a large, white, sans-serif font.

# Uni Façade Lighting



# Façade Lighting Solutions that Meet Your Customers Requirements...



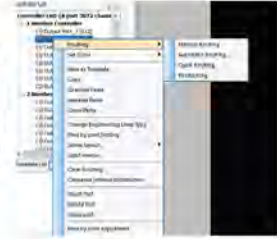
**Fast Delivery of Luminaires and Controls**  
Including customization capabilities



**Leveraging Global R&D and platforms**  
Including design validation and QC



**Full system provider**  
Including control equipment, software and on-site installation, commissioning and training support



**Capabilities to support** your projects from

- concept & design,
- installation & commissioning to
- Training and remote control.

Together we can deliver more value for our customers and our cities

## Reliable Design and Sturdy Luminaires



**Full IP66 Luminaires**  
Including IP rated drivers for AC powered luminaires and IK06 optical covers.



**Various White and Colored Lighting Options**  
Available in 2700, 3000, 4000 and 5000K white. Red, Green, Blue and Amber mono colors and RGB, RGBW and Tunable White (2700~6500K).



**High Quality LEDs and Optics**  
Standard 4 SDCM for white LEDs and 5nm wave length range for colored LEDs with anti-yellowing and anti-aging Lenses.



**Easy and Fast Installation and Wiring**  
Including IP67 male/female cable connectors for maximum safety and fast wiring.



**Reliable and Long Useful Life**  
Can operate under Ta from -40°C to 50°C  
50,000 hours L70 @ 35°C for white  
50,000 hours L50 @ 35°C for color



## Reliable Design and Sturdy Luminaires



**Drainage Surface Design**  
Luminaires surfaces and end-caps are designed to drain water to minimize the common issue of accumulation of dirt and water especially for uplighting applications



**Easy and Instant DMX Address Writing**  
Dedicated DMX addressing wires for an instant address writing of a whole run either off or on-site within minutes via our handheld addressing tool or sub-controllers.



**Optimum Visual Comfort**  
Some luminaires have low power LEDs, 3-in1 RGB and 4-in1 RGBW LEDs options and optional glare-shields for applications that needs visual comfort.



# UniFlood C

Circular shaped, exterior rated architectural flood light, suitable for façade, accent, decorative and site lighting applications.

<b>Number of Sizes Released:</b>	4
<b>Number of Optics:</b>	6 optics
<b>Optical Distributions:</b>	3°, 10°, 15°, 30°, 45°, 60°
<b>White CCTs:</b>	2700, 3000, 4000, 5000K
<b>Color Rendering Index</b>	80 (5000K is 70)
<b>White SDCM:</b>	4
<b>Mono Colors:</b>	Red, Green, Blue, Amber
<b>Color Changing:</b>	RGB, RGBW, tW
<b>IP Rating:</b>	IP66
<b>IK Rating:</b>	IK08
<b>Tilting Angle</b>	±90°
<b>Control Interfaces:</b>	On/Off   DMX512/RDM

4 Sizes, 6 Optics  
WH, Mono, RGB, RGBW, tW  
9~150W  
220Vac, DMX/RDM  
Through wiring (DMX)



- High lumen output; up to 12,000lm (4000K)
- PMMA lenses with a wide range of optics
- Drainage design to reduce dirt and water accumulation especially at uplighting applications
- Large heatsink between optical assembly and electrical chamber for proper heat dissipation
- Safety wire attached to the housing as a standard component
- Waterproof vent valve
- Through wiring for DMX signal via male/female IP67 connectors
- Dedicated addressing wires for fast and convenient DMX/RDM addressing via ZXP399 handheld addressing device
- Useful life (WH): 50,000 hrs L70 @ 35°C  
Useful life (RGB): 50,000 hrs L50 @ 35°C





# UniFlood C – Compact

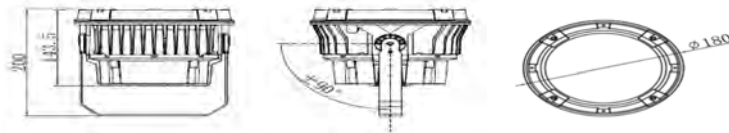
## Ordering guide

ex: BVP321 9LED 40K 220V 30 DMX D2

BVP321			220V			
Family	# of LEDs	CCT / Color	Voltage	Beam Angles	Control <sup>(5)</sup>	LED Code
BVP321 – UniFlood C Compact	5LED <sup>(1)</sup> 9LED <sup>(2)</sup> 12LED	27K – 2700K 30K – 3000K 40K – 4000K 50K – 5000K RGB – RGB <sup>(5)</sup> tW – Tunable White <sup>(5)</sup> RGBWW – RGBW(3000K) <sup>(2)</sup> RGBNW – RGBW(4000K) <sup>(3)</sup> BL – Blue RD – Red GN – Green AM – Amber	220V – 220-240V AC	3 – 3.5x3.5° <sup>(4)</sup> 10 – 10°x10° 15 – 15°x15° 30 – 30°x30° 45 – 45°x45° 60 – 60°x60°	– On/Off DMX – DMX/RDM	D2



- (1) 5LED is available only in 3.5° beam angle
- (2) RGBW is 8LED
- (3) Not available in for 5LED / Available only with DMX control
- (4) Available only in 5LED
- (5) RGB, tW and RGBW are available only in DMX control



# UniFlood C – Small

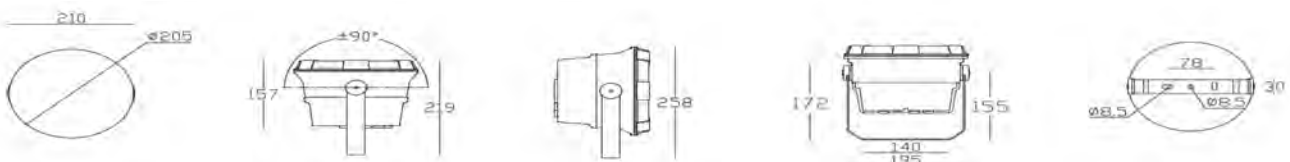
## Ordering guide

ex: BVP322 12LED 40K 220V 30 DMX D2

BVP322	12LED	40K	220V	30	DMX	D2
Family	# of LEDs	CCT / Color	Voltage	Beam Angles	Control <sup>(5)</sup>	LED Code
BVP322 – UniFlood C Small	6LED <sup>(1)</sup> 12LED 18LED	27K – 2700K 30K – 3000K 40K – 4000K 50K – 5000K RGB – RGB <sup>(2)</sup> tW – Tunable White <sup>(2)</sup> RGBWW – RGBW(3000K) <sup>(2)</sup> RGBNW – RGBW(4000K) <sup>(2)</sup> BL – Blue RD – Red GN – Green AM – Amber	220V – 220-240V AC 24V – 24Vdc <sup>(3)</sup>	3 – 3.5x3.5° <sup>(4)</sup> 10 – 10°x10° 15 – 15°x15° 30 – 30°x30° 45 – 45°x45° 60 – 60°x60°	– On/Off DMX – DMX/RDM	D2



- (1) 6LED is available only in 3.5° beam angle
- (2) Not available in for 6LED / Available only with DMX control
- (3) 24Vdc is available upon request for power ≤ 36W
- (4) Available only for 6LED
- (5) RGB, tW and RGBW are available only in DMX control



# UniFlood C – Medium

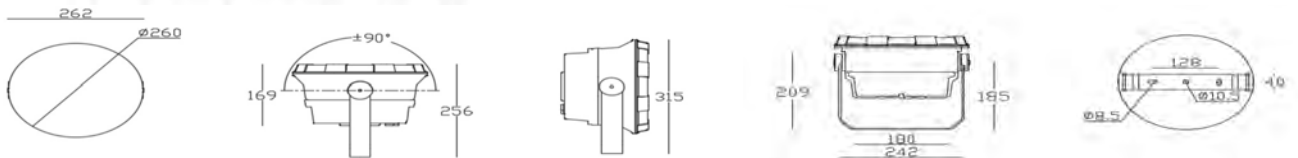
## Ordering guide

ex: BVP323 36LED RGBNW 220V 15 DMX D2

BVP323	36	RGBNW	220V	15	DMX	D2
<b>Family</b>	<b># of LEDs</b>	<b>CCT / Color</b>	<b>Voltage</b>	<b>Beam Angles</b>	<b>Control <sup>(4)</sup></b>	<b>LED Code</b>
BVP323 – UniFlood C Medium	18LED <sup>(1)</sup> 24LED 36LED	27K – 2700K 30K – 3000K 40K – 4000K 50K – 5000K RGB – RGB tW – Tunable White RGBWW – RGBW(3000K) <sup>(2)</sup> RGBNW – RGBW(4000K) <sup>(2)</sup> BL – Blue RD – Red GN – Green AM – Amber	220V – 220-240V AC	3 – 3.5x3.5° <sup>(3)</sup> 10 – 10°x10° 15 – 15°x15° 30 – 30°x30° 45 – 45°x45° 60 – 60°x60°	– On/Off DMX – DMX/RDM	D2



- (1) 18LED is available only in 3.5° beam angle
- (2) RGBW is not available for 18LED
- (3) Available only for 18LED
- (4) RGB, tW and RGBW are available only in DMX control



# UniFlood C – Large

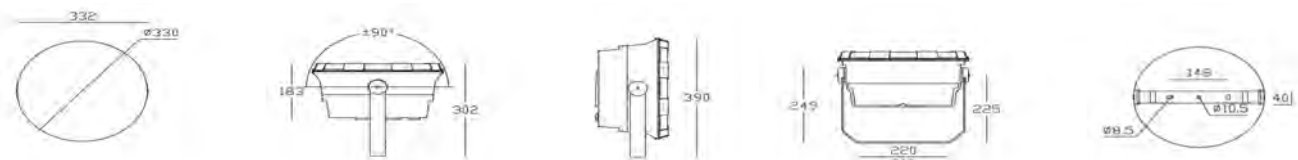
## Ordering guide

ex: BVP324 72LED RGB 220V 15 DMX D2

BVP324	72LED	RGB	220V	15	DMX	D2
<b>Family</b>	<b># of LEDs</b>	<b>CCT / Color</b>	<b>Voltage</b>	<b>Beam Angles</b>	<b>Control <sup>(3)</sup></b>	<b>LED Code</b>
BVP324 – UniFlood C Large	30LED <sup>(1)</sup> 54LED 72LED	27K – 2700K 30K – 3000K 40K – 4000K 50K – 5000K RGB – RGB tW – Tunable White RGBWW – RGBW(3000K) <sup>(2)</sup> RGBNW – RGBW(4000K) <sup>(2)</sup> BL – Blue RD – Red GN – Green AM – Amber	220V – 220-240V AC	3 – 3.5x3.5° <sup>(2)</sup> 10 – 10°x10° 15 – 15°x15° 30 – 30°x30° 45 – 45°x45° 60 – 60°x60°	– On/Off DMX – DMX/RDM	D2



- (1) 30LED is available only in 3.5° beam angle
- (2) Available only for 30LED
- (3) RGB, tW and RGBW are available only with DMX control



# UniFlood C Pro

Circular shaped, high lumen output, exterior rated architectural flood light, suitable for façade, accent, decorative and site lighting applications.

<b>Number of Sizes Released:</b>	4
<b>Number of Optics:</b>	6 optics
<b>Optical Distributions:</b>	3.5°(ETO), 10°, 15°, 30°, 45°, 60°
<b>White CCTs:</b>	2700, 3000, 4000, 5000K
<b>Color Rendering Index</b>	80 (5000K is 70)
<b>White SDCM:</b>	4
<b>Mono Colors:</b>	Red, Green, Blue, Amber
<b>Color Changing:</b>	RGB, RGBW, tW
<b>IP Rating:</b>	IP66
<b>IK Rating:</b>	IK06
<b>Tilting Angle</b>	±90°
<b>Control Interfaces:</b>	On/Off   DMX512/RDM

4 Sizes, 6 Optics  
WH, Mono, RGB, RGBW, tW  
24~150W  
220Vac, DMX/RDM  
Through wiring (DMX)



- High lumen output; up to 12,900lm (4000K 30°)
- PMMA lenses with a wide range of optics
- Flush surface and drainage design to reduce dirt and water accumulation especially at uplighting applications
- Large heatsink between optical assembly and electrical chamber for proper heat dissipation
- Safety wire attached to the housing as a standard component
- Waterproof vent valve
- Through wiring for DMX signal via male/female IP67 connectors
- Dedicated addressing wires for fast and convenient DMX/RDM addressing via ZXP399 handheld addressing device
- Useful life: 50,000 hrs L70 @ 35°C for white





# UniFlood C Pro – Compact

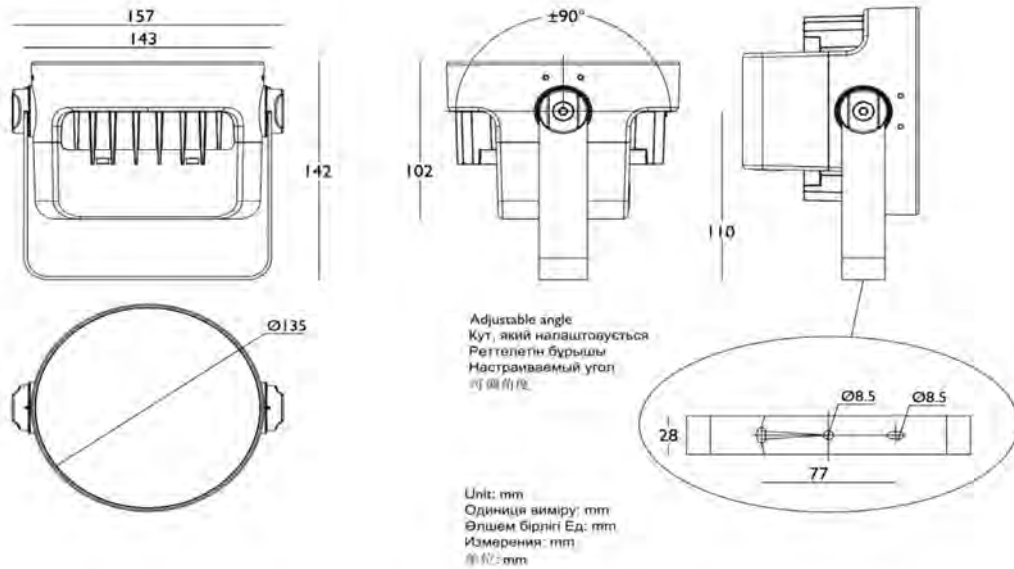
## Ordering guide

BVP371 12LED 27K 220V 30 24W HE

BVP371	12LED	220V	24W				
<b>Family</b>	<b># of LEDs</b>	<b>CCT / Color</b>	<b>Voltage</b>	<b>Beam Angles</b>	<b>Control</b>	<b>Waitage</b>	<b>Version</b>
BVP371 – UniFlood C Pro Compact	12LED	27K – 2700K 30K – 3000K 40K – 4000K 50K – 5000K RGB – RGB (1) 1W – Tunable White RGBWW – RGBW(3000K) RGBW – RGBW(4000K) BL – Blue RD – Red GN – Green AM – Amber	220V – 110-240V AC	10° – 10°x10° 15° – 15°x15° 30° – 30°x30° 45° – 45°x45° 60° – 60°x60°	– On/Off DMX – DMX/RDM	24W	HE – High efficiency version HP – High power version



(1) RGB, 1W and RGBW are available only in DMX control



Type number Тип Тип 产品型号	LEDs QTYКількість LEDLED 数量	Power Потужність Куаты Мощность 功率	Voltage Напруга Көрнеу Напряжение 輸入电压	Beam angle Кут світлового пучка Жарық шоғыры буршылары Углы светового пучка 光束角	CCT / Color Колірна температура/Колір Түс температурасы/Түсі Цветовая температура/Цвет 色温/颜色	Control method Керування Басқару Управление 控制方式	Max. No. per DMX universe Максимальность на DMX всесвіт DMX әлемінде макс. саны Макс. Количество на DMX вселенную 每个DMX端口可控制灯具数	
BVP371 Mono	12	24W	220-240V AC 50/60Hz	10°/15°/30°/45°/60°	2700K 3000k 4000k	On-Off DMX-RDM	512 (Only DMX versions) (Тільки версії DMX) (Тек DMX нұсқалары) (Только версии DMX) (仅DMX型号)	1.8
BVP371 RGB	12	24W			RGB	DMX-RDM	170	1.8
BVP371 RGBW	12	24W			RGBW4000K	DMX-RDM	128	1.8

# UniFlood C Pro – Small

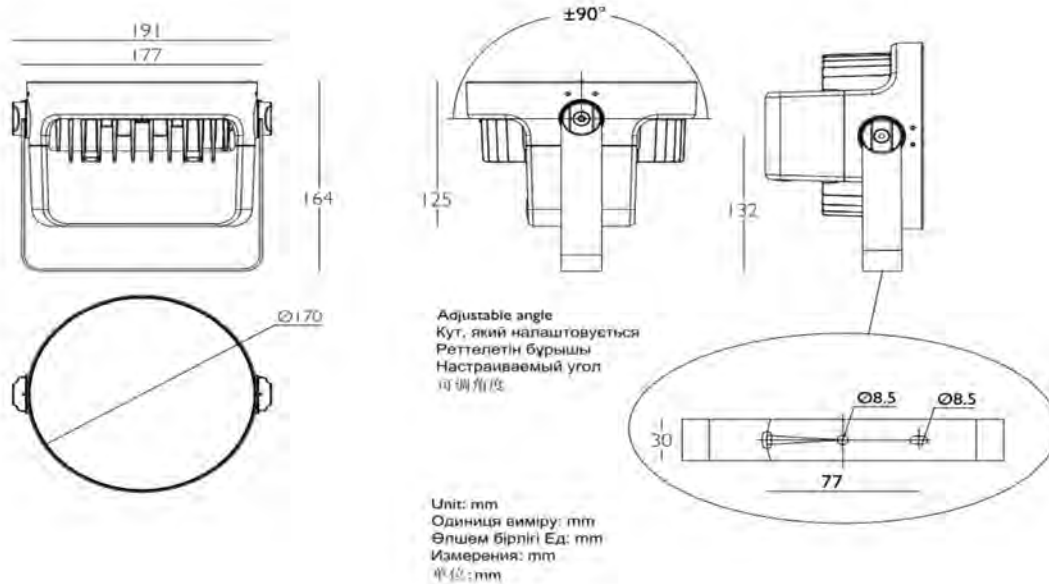
## Ordering guide

ex: BVP372 16LED 27K 220V 10 40W HP

BVP372		220V					
Family	# of LEDs	CCT / Color	Voltage	Beam Angles	Control <sup>(1)</sup>	Wattage	Version
BVP372 – UniFlood C Pro Small	6LED <sup>(1)</sup> 15/16LED <sup>(2)</sup> 18/20LED <sup>(2)</sup>	27K – 2700K 30K – 3000K 40K – 4000K 50K – 5000K RGB – RGB TW – Tunable White <sup>(3)</sup> RGBWW – RGBW(3000K)   RGBNW – RGBW(4000K)   BL – Blue RD – Red GN – Green AM – Amber	220V – 220-240V AC	3 – 3.5x3.5° 10 – 10°x10° 15 – 15°x15° 30 – 30°x30° 45 – 45°x45° 60 – 60°x60°	– On/Off DMX – DMX/RDM	15W 40W 50W	HE – high efficiency version HP – high power version



- (1) 6LED is available only in 3.5°  
 (2) 15LED is available only in RGB, 20LED is available only in RGBW  
 (3) RGB, TW and RGBW are available only in DMX control



Type number Тип Тип 产品型号	LEDs QT/Кількість LED/LED 数量/数量 LED/LED数量	Power Потужність Кватты Мощность 功率	Voltage Напруга Кернеуі Напряжение 输入电压	Beam angle Кут світлового пучка Жарық шоғыры бурныштері Углы светового пучка 出光角	CCT / Color Колірна температура/Колір Түс температурасы/Түсі Цвета температура/Цвет 色温/颜色	Control method Керування Басқару Управление 控制方式	Max. No. per DMX universe Мак. кількість на DMX universe DMX әлеміне макс. саны Макс. Кольчо на DMX әселенкіу (Только версии DMX) 每个DMX端口的最大灯数	
BVP372 Mono	6	15W	220-240V AC 50/60Hz	3.5°	2700K 3000k 4000k	On-Off DMX-RDM	512 (Only DMX versions) (Тільки версії DMX) (Тек DMX нұсқалары) (Только версии DMX) (仅DMX型号)	3
	16	40W						
	18	50W						
BVP372 RGB	15	40W		10°/15°/30° 45°/60°	RGB	DMX-RDM	170	3
	18	50W						
BVP372 RGBW	16	40W		20	50W	RGBW	128	3
	20	50W						



# UniFlood C Pro – Medium

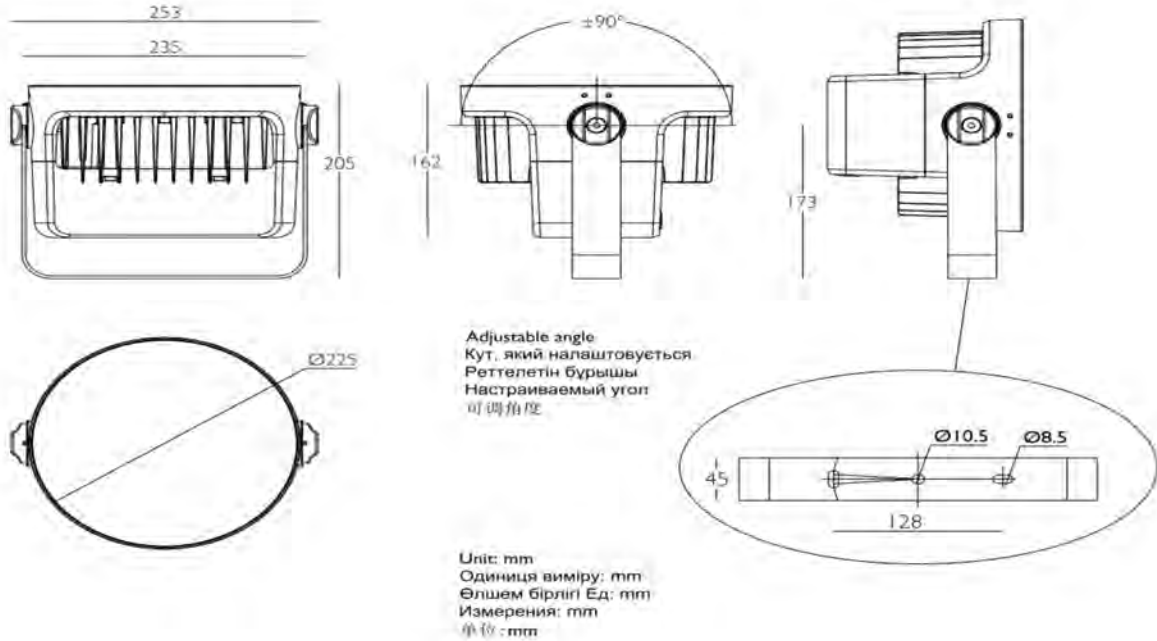
## Ordering guide

ex: BVP373 36LED 27K 220V 10 100W HP

BVP373		220V					
Family	# of LEDs	CCT / Color	Voltage	Beam Angles	Control <sup>(1)</sup>	Wattage	Version
BVP373 – UniFlood C Pro Medium	18LED <sup>(1)</sup>	27K – 2700K	220V – 220-240V AC	3 – 3.5x3.5°	– On/Off DMX – DMX/RDM	45W 80W 100W	HE – high efficiency version HP – high power version
	30/32LED <sup>(2)</sup>	30K – 3000K		10 – 10°x10°			
	36LED	40K – 4000K		15 – 15°x15°			
		50K – 5000K		30 – 30°x30°			
		RGB – RGB		45 – 45°x45°			
		tW – Tunable White <sup>(3)</sup>		60 – 60°x60°			
		RGBWW – RGBW(3000K)					
		RGBWW – RGBW(4000K)					
		BL – Blue					
		RD – Red					
GN – Green							
AM – Amber							



- (1) 18LED is available only in 3.5°
- (2) 32LED is available only in RGBW
- (3) RGB, tW and RGBW are available only in DMX control



Type number Тип Тип 产品类型	LEDs QT/Кількість LED/LED-саны/数量 LEDLED数量	Power Потужність Куваты Мощность 功率	Voltage Напруга Керує Напряжение 输入电压	Beam angle Кут світлового пучка Жагық шығары бурғыштары Углы светового пучка 出光角	CCT/Color Колірна температура/Колір Түс температурасы/Түс Цветовая температура/Цвет 色温/颜色	Control method Керування Басқару Управление 控制方式	Max. No. per DMX universe Мак_кількість на DMX всесвіт DMX әлеміне макс_сань Мак_Коліво на DMX вселенную 每个DMX端口可控制大灯数	
BVP373 Mono	18	45W	220-240V AC 50/60Hz	3.5°	2700K 3000k 4000k	On-Off DMX	512 (Only DMX versions) (Тільки версії DMX) (Тек DMX нұсқалары) (Только версии DMX) (仅DMX型号)	6.5
	30	80W						
	36	100W						
BVP373 RGB	30	80W		10°/15°/30°/45°/60°	RGB	DMX-RDM	170	6.5
	36	100W						
BVP373 RGBW	32	80W		RGBW	DMX-RDM	128	6.5	
	36	100W						

# UniFlood C Pro – Large

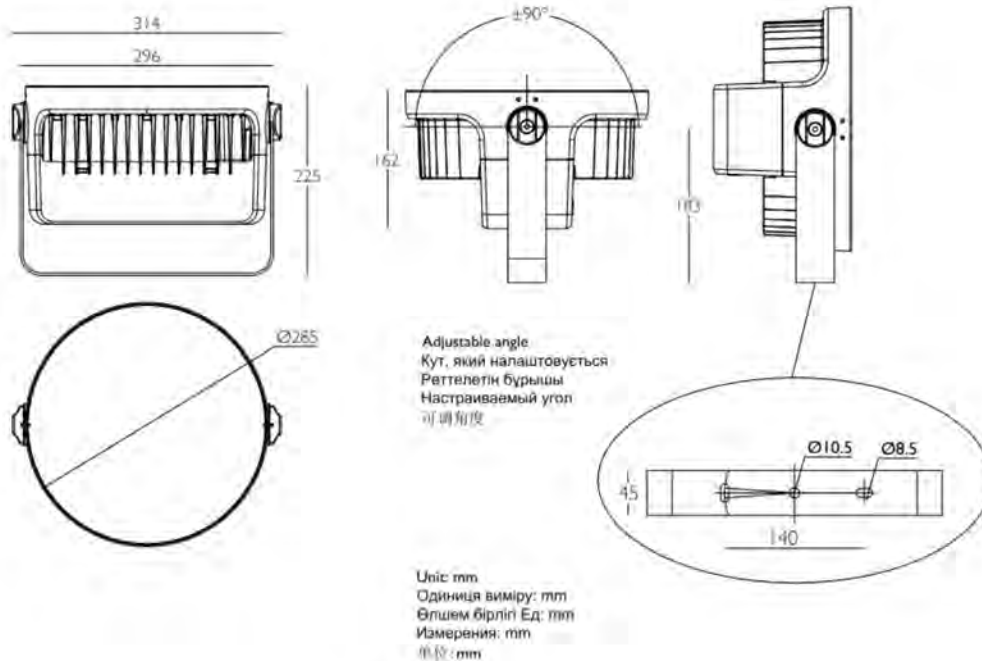
## Ordering guide

ex: BVP374 48LED 27K 220V 10 DMX 120W HP

BVP374		220V					
Family	# of LEDs	CCT / Color	Voltage	Beam Angles	Control <sup>(1)</sup>	Wattage	Version
BVP374 – UniFlood C Pro Large	30LED <sup>(1)</sup> 48LED 60LED	27K – 2700K 30K – 3000K 40K – 4000K 50K – 5000K RGB – RGB TW – Tunable White <sup>(1)</sup> RGBWW – RGBW(3000K) RGBWW – RGBW(4000K) BL – Blue RD – Red GN – Green AM – Amber	220V – 220-240V AC	3 – 3.5x3.5° 10 – 10°x10° 15 – 15°x15° 30 – 30°x30° 45 – 45°x45° 60 – 60°x60°	– On/Off DMX – DMX/RDM	80W 120W 150W	HE – high efficiency version HP – high power version



- (1) 30LED is available only in 3.5°  
 (2) RGB, TW and RGBW are available only in DMX control



Type number Тип Typ 产品型号	LEDs QTYКількість LEDLED саныКол-во LEDLED数量	Power Потужність Куты Мощность 功率	Voltage Напруга Керуеу Напряжение 输入电压	Beam angle Куті світлового пучка Жарык шыгыры бурнытары Углы светового пучка 出光角	CCT/Color Колірна температура/Колір Тус температурасы/Тус Цветовая температура/Цвет 色温/颜色	Control method Керування Басқару Управление 控制方式	Max. No. per DMX universe Максимальність на DMX всесвіт DMX әлеміне максиманы Макс.Колво на DMX вселенную 每个DMX接口可连接大灯数		
BVP374 Mono	30	80W	220-240V AC 50/60Hz	3.5°	2700K 3000k 4000k	On-Off DMX	512 (Only DMX versions) (Тільки версії DMX) (Тек DMX нускалары) (Только версии DMX) (仅DMX型号)		
	48	120W							8.5
	60	150W							
BVP374 RGB	48	120W		10°/15°/30°/45°/60°	RGB	DMX-RDM	170	8.5	
	60	150W							
BVP374 RGBW	48	120W		RGBW	DMX-RDM	128	8.5		
	60	150W							



# UniFlood C Pro – ETO options



1. Narrow beam for 3.5° (With less Len qty, less Power)
2. Anti Glare: Honeycomb Louver
3. MSP coating (salt spray testing 1000hrs), standard product is 500hrs
4. ETO for Color of Housing, standard product is RAL7012(Dark Gray)

# UniFlood M G2

Modular flood light, suitable for façade and area lighting applications. Extruded aluminum housing makes it more light, economical and has a shorter lead time.

<b>Heads Lengths:</b>	155~569mm
<b>Number of Heads:</b>	Up to 3 heads
<b>Symm Optics:</b>	3°, 10°, 15°, 30°, 45°, 60°
<b>White CCTs:</b>	2700, 3000, 4000, 5000K
<b>Mono Colors:</b>	Red, Green, Blue, Amber
<b>Color Changing:</b>	RGB, RGBW, tW
<b>IP/IK Ratings:</b>	IP66/IK06
<b>Tilting Angle (Single)</b>	±90°
<b>Tilting Angle (Double)</b>	±45°
<b>Tilting Angle (Triple)</b>	±45°
<b>Control Interfaces:</b>	On/Off   DMX512/RDM

Extruded Aluminum  
True Modularity  
Economic / Short Leadtime  
24~450W  
220VAC, DMX/RDM



- PMMA lenses with a wide range of optics
- Flush top surface design to minimize dirt and water accumulation especially at uplighting applications
- True modularity, each head can be adjusted and controlled with different settings (color, dimming... etc.)
- Safety wire attached to the housing as a standard component
- Waterproof vent valve for each head
- Through wiring for DMX signal via male/female IP67 connectors
- Dedicated addressing wires for fast and convenient DMX/RDM addressing via ZXP399 handheld addressing device
- Useful life: 50,000 hrs L70 @ 35°C for Mono White



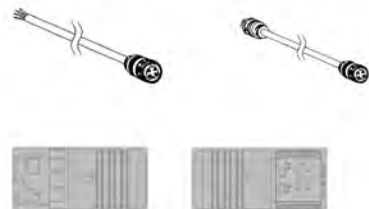
## Accessories:

- **Glare shields:** Asymmetric glare shield, complete with stainless steel screws
- **4P Leader cable:** Connect from the DMX controller to the first luminaire in the group; one end with 4-poles flying wires and the other end is with a female connector. Standard length is 2M
- **4P Jumper cable:** connect the DMX signal between luminaires, one end with a female connector and the other is with a male one. Standard length is 2M
- **End caps:** IP67 end caps for both male and female connectors that MUST be used at the end of each run.



## Serviceable Parts:

- Only brackets can be replaced
- The customer may order extra luminaires and cables/connectors as spare parts in case of urgent replacement.





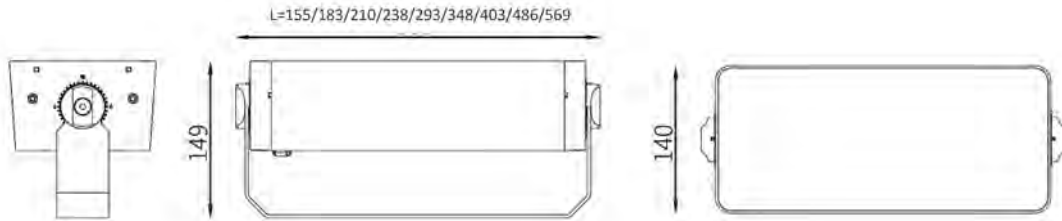
# UniFlood M G2 (Single Head)

## Ordering guide

ex: BVP353 72LED 40K 220V L57 10 DMX

BVP353	72LED	40K	220V	L57	10	DMX
Family	# of LEDs	CCT / Color	Voltage	Length	Beam Angles	Control Interface
BVP353 – UniFlood M G2 Single Head	6LED (1) 8/9LED 12LED 16/18LED 24LED 30/32LED 36LED <hr/> 12LED 15/16LED 18/20LED 24LED 30/32LED 36LED 48LED 60LED 72LED	27K – 2700K 30K – 3000K 40K – 4000K 50K – 5000K BL – Blue RD – Red GN – Green AM – Amber RGB – RGB RGBA – RGBA RGBWW – RGBW(3000K) RGBNW – RGBW(4000K) TW – Tunable White	220V – 220V-240V AC	L15-155mm L18-183mm L21-210mm L24-238mm L30-293mm L35-348mm L40-403mm L50-486mm L57-569mm	3 – 3° <hr/> 10 – 10° 15 – 15° 30 – 30° 45 – 45° 60 – 60°	– On/Off DMX – DMX/RDM

(1) 3° is not available for L24 and L35

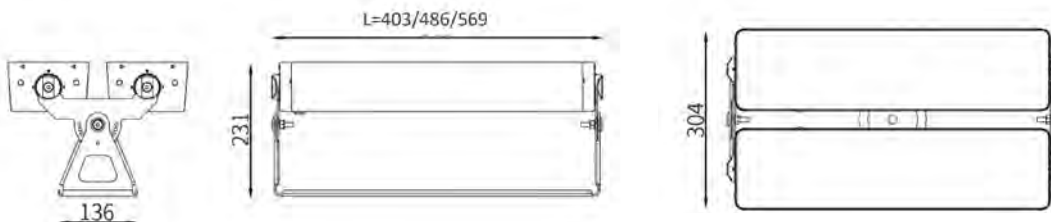


# UniFlood M G2(Double Head)

## Ordering guide

ex: BVP354 144LED 40K 220V L57 30 DMX

BVP354	144LED	40K	220V	L57	30	DMX
Family	# of LEDs	CCT / Color	Voltage	Length	Beam Angles	Control Interface
BVP354 – UniFlood M G2 Double Head	48LED 60/64LED 72LED <hr/> 96LED (2) 120LED 144LED	27K – 2700K 30K – 3000K 40K – 4000K 50K – 5000K BL – Blue RD – Red GN – Green AM – Amber RGB – RGB RGBA – RGBA RGBWW – RGBW(3000K) RGBNW – RGBW(4000K) TW – Tunable White	220V – 220V-240V AC	L40 – 403mm L50 – 486mm L57 – 569mm	3 – 3° <hr/> 10 – 10° 15 – 15° 30 – 30° 45 – 45° 60 – 60°	– On/Off DMX – DMX/RDM

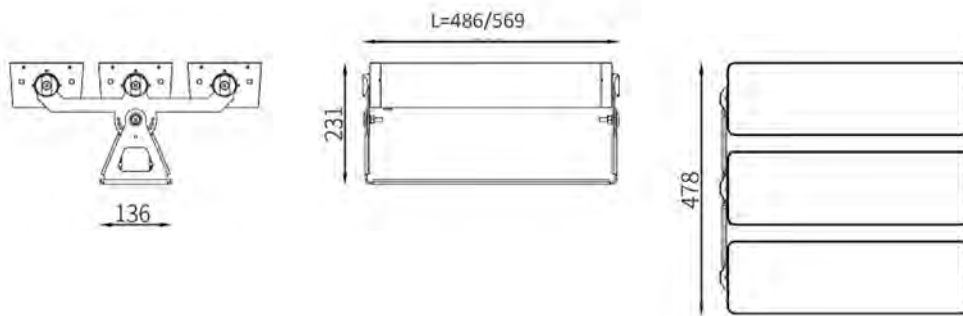


# UniFlood M G2 (Triple Head)

## Ordering guide

ex: BVP355 216LED 40K 220V L57 30 DMX

BVP355	216LED	40K	220V	L57	30	DMX
Family	# of LEDs	CCT / Color	Voltage	Length	Beam Angles	Control Interface
BVP354 – UniFlood M G2 Triple Head	90/96LED 108LED <hr/> 180LED 216LED	27K – 2700K 30K – 3000K 40K – 4000K 50K – 5000K BL – Blue RD – Red GN – Green AM – Amber RGB – RGB RGBA – RGBA RGBWW – RGBW(3000K) RGBNW – RGBW(4000K) TW – Tunable White	220V – 220V- 240V AC	L50 – 486mm L57 – 569mm	3 – 3° <hr/> 10 – 10° 15 – 15° 30 – 30° 45 – 45° 60 – 60°	– On/Off DMX – DMX/RDM





## UniFlood G

Strong, sturdy and high-power flood light, suitable for façade and area lighting applications. Made of die-cast aluminum to propose in project where a higher power than UniFlood M is required or if the specifications calls for a die-cast aluminum housing.

<b>Number of Heads:</b>	1 and 2 heads
<b>Symm Optics:</b>	3.5, 7, 10, 15, 30, 45, 60°
<b>Asymm Optics:</b>	15x17°
<b>White CCTs:</b>	2700, 3000, 4000, 5000K
<b>Mono Colors:</b>	Red, Green, Blue, Amber
<b>Color Changing:</b>	RGB, RGBW, tW
<b>IP/IK Ratings:</b>	IP66/IK09
<b>Control Interfaces:</b>	On/Off   DMX/RDM
<b>Alternative in Current Uni:</b>	N/A

Die-cast aluminum  
High Wattage / High Reach  
120~600W  
220Vac, DMX/RDM



- High lumen output; up to 34,500lm (4000K)
- PMMA lenses with a wide range of optics
- Drainage design on top surface to minimize dirt and water accumulation especially at uplighting applications
- Safety wire attached to the housing as a standard component
- Waterproof vent valve for each head
- Through wiring for DMX signal via male/female IP67 connectors
- Dedicated addressing wires for fast and convenient DMX/RDM addressing via ZXP399 handheld addressing device
- High efficient heat dissipation due to the design of separated electrical box fixed on the bracket and super large area of heat sink
- Useful life (WH): 50,000 hrs L70 @ 35°C  
Useful life (RGB): 50,000 hrs L50 @ 35°C



# UniFlood G (Single Head)

## Ordering guide

ex: BVP343 108LED RGB 220V 7 DMX D3

BVP343		220V				
Family	# of LEDs <sup>(1)</sup>	CCT / Color	Voltage	Beam Angles	Control	LED Code
BVP343 – UniFlood G Single	48LED	27K – 2700K	220V – 220-240V AC	3 – 3.5°x3.5°	– On/Off DMX – DMX/RDM	D2 D3
	108LED	30K – 3000K		7 – 7.5°x7.5°		
	120LED	40K – 4000K 50K – 5000K RGB – RGB RGBA – RGBA tW – Tunable White RGBWW – RGBW(3000K) RGBNW – RGBW(4000K) BL – Blue RD – Red GN – Green AM – Amber		15x17 – 15°x17° 10 – 10°x10° 15 – 15°x15° 30 – 30°x30° 45 – 45°x45° 60 – 60°x60°		

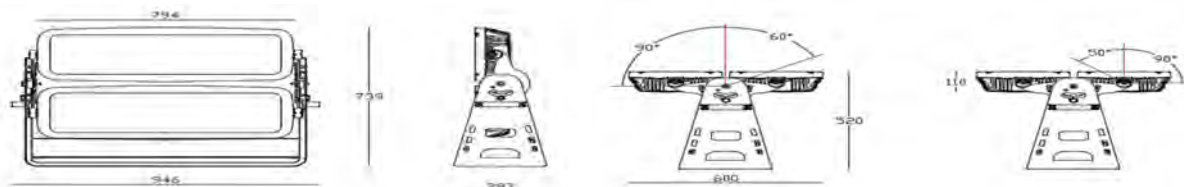
# UniFlood G (Double Head)

## Ordering guide

ex: BVP344 96LED RGBNW 220V 3 DMX D2

BVP344		220V				
Family	# of LEDs	CCT / Color	Voltage	Beam Angles	Control	LED Code
BVP344 – UniFlood G Double	96LED	27K – 2700K	220V – 220-240V AC	3 – 3.5°x3.5°	– On/Off DMX – DMX/RDM	D2 D3
	216LED	30K – 3000K		7 – 7.5°x7.5°		
	240LED	40K – 4000K 50K – 5000K RGB – RGB RGBA – RGBA tW – Tunable White RGBWW – RGBW(3000K) RGBNW – RGBW(4000K) BL – Blue RD – Red GN – Green AM – Amber		15x17 – 15°x17° 10 – 10°x10° 15 – 15°x15° 30 – 30°x30° 45 – 45°x45° 60 – 60°x60°		

(1) 96LED is only available in 3.5°, 216LED is only available in 7.5° and 15x17° and 240LED is only available in 10-60°



# UniEdge (BCP390)

Compact sized luminaire designed for windows, doors and general edges lighting.

<b>Mounting:</b>	Surface mounting
<b>Optical Distribution:</b>	3x90°
<b>White CCTs:</b>	2700, 3000, 4000, 5000K
<b>Color Rendering Index</b>	80 (5000K is 70)
<b>White SDCM:</b>	4
<b>Mono Colors:</b>	Red, Green, Blue, Amber
<b>Color Changing:</b>	RGB, RGBW, tW
<b>IP/IK Ratings:</b>	IP66/IK06
<b>Control Interfaces:</b>	On/Off   DMX
<b>Alternative in Current Uni:</b>	N/A

Unique 3x90° Beam Angle  
Through wiring (power/signal)  
WH, Mono, RGB, RGBW, tW  
7/10W  
24Vdc, DMX



- Compact design with self-cleaning flush top glass surface
- Lumen output: up to 165 lm (WH)
- PMMA lenses with a unique blade effect optic
- Die-cast aluminum body with tempered glass cover
- Adjustable brackets -5 ~ +85°
- Through wiring for DC power + DMX signal through male/female IP67 connectors
- Dedicated addressing wires for fast and convenient DMX addressing (only through our handheld addressing tool)
- Useful life (WH): 50,000 hrs L70 @ 35°C
- Useful life (RGB): 50,000 hrs L50 @ 35°C

## Serviceable Parts:

- Only brackets can be replaced
- The customer may order extra luminaires and cables/connectors as spare parts in case of urgent replacement.





# UniEdge (BCP390)

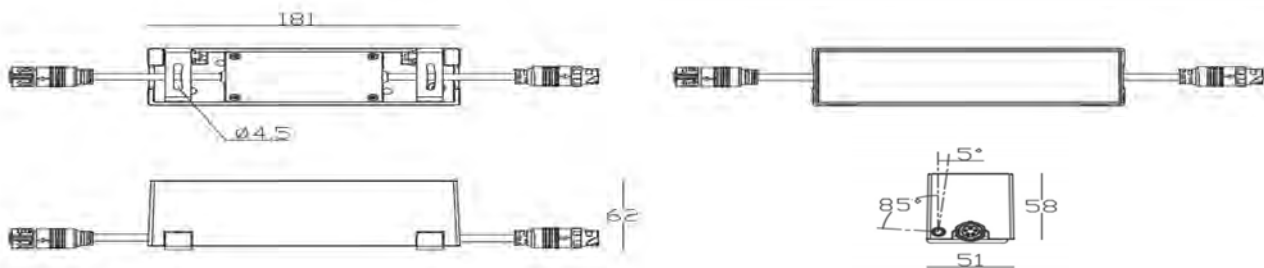
## Ordering guide

BCP390 4LED 30K 24V 3x90 DMX D3

BCP390	4LED	30K	24V	3x90	DMX	D3
<b>Family</b>	<b>LEDs</b>	<b>CCT / Color</b>	<b>Voltage</b>	<b>Beam Angle</b>	<b>Control <sup>(2)</sup></b>	<b>LED Code</b>
BCP390 – UniEdge	3LED <sup>(1)</sup> 4LED	27K – 2700K 30K – 3000K 40K – 4000K 50K – 5000K RGB – RGB tW – Tunable White RGBWW – RGBWW(3000K) RGBNW – RGBW(4000K) BL – Blue RD – Red GN – Green AM – Amber	24V – 24V DC	3x90 – 3x90°	– On/Off DMX – DMX	D3

(1) 3LED is only for RGB version

(2) RGB, RGBW and tW are available only with DMX control



### Recommended application dimensions (H x W):

- **White:** 4 x 2m
- **RGB:** 3 x 2m

### Remarks:

- The light beam can reach much higher than the recommended dimensions above but note the following:
  - Lighting levels in the surrounding environment will affect such optical distribution if the height is more than the recommended ones
  - Thickness of the window, wall or groove that needs to be lit with UniEdge



# UniStrip G4 (DC Versions)

Linear wall washing luminaire suitable for façade and bridges applications.

<b>Number of Lengths:</b>	3 (300, 500/510, 1000mm)
<b>Number of Optics:</b>	6 optics (vary per family)
<b>Symmetrical Optics:</b>	17°, 30°, 40°, 50°
<b>Asymmetrical Optics:</b>	16x35°, 25x40°
<b>White CCTs:</b>	2700, 3000, 4000, 5000K
<b>Color Rendering Index</b>	80 (5000K is 70)
<b>White SDCM:</b>	4
<b>Mono Colors:</b>	Red, Green, Blue, Amber
<b>Color Changing:</b>	RGB, RGBW, tW
<b>IP/IK Ratings:</b>	IP66/IK06
<b>Tilting Angle:</b>	±95°
<b>Control Interfaces:</b>	On/Off   DMX
<b>Pixel Control:</b>	Up to 8 pixels

3 Sizes, 6 Optics  
Through wiring (Power/DMX)  
WH, Mono, RGB, RGBW, tW  
3~36W, 24Vdc, DMX  
Up to 8 Pixels



- Lumen output: up to 2,600lm (4000K) and power to 36W
- Multiple pixels options (up to 8 pixels)
- PC / PMMA lenses with a wide range of optics
- Drainage design for the body and end caps
- Optional glare shields for more visual comfort
- Through wiring for DC power + DMX signal through male/female IP67 connectors
- Dedicated addressing wires for fast and convenient DMX addressing (only through our handheld addressing tool)
- Useful life (WH): 50,000 hrs L70 @ 35°C
- Useful life (RGB): 50,000 hrs L50 @ 35°C

### Serviceable Parts:

- Only brackets can be replaced
- The customer may order extra luminaires and cables/connectors as spare parts in case of urgent replacement.



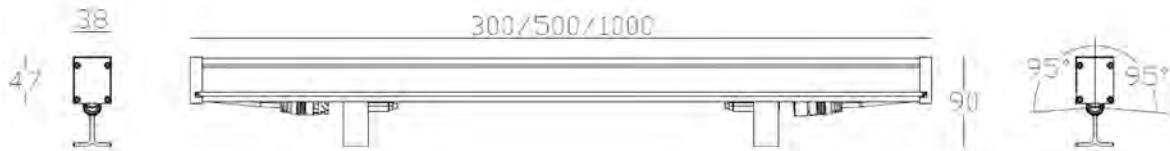
# UniStrip G4 (BCP381)

## Ordering guide

ex: BCP381 24LED RGB 24V 30 L100 DMX D2

BCP381	24LED	RGB	24V	30	L100	DMX	D2
Family	# of LEDs	CCT / Color	Voltage	Beam Angle	Length	Control/Pixels <sup>(1) (2)</sup>	LED Code
BCP381 – UniStrip G4	6LED 12LED 24LED	27K – 2700K 30K – 3000K 40K – 4000K 50K – 5000K RGB – RGB tW – Tunable White BL – Blue RD – Red GN – Green AM – Amber	24V – 24V DC	17 – 17° A2 – 16°x35° 30 – 30° 40 – 40° <sup>(3)</sup>	L30 – 300mm L50 – 500mm L100 – 1000mm	– On/Off DMX – DMX 1 Pixel 2PX – DMX 2 Pixels 4PX – DMX 4 Pixels	D2 – OSRAM HP D3 – LUMILEDS HP
		RGBWW – RGBW(3000K) RGBNW – RGBW(4000K)		A4 – 25x40° 30 – 30° 50 – 50°			

- (1) RGB, RGBW and tW are only available in DMX  
 (2) L30 is up to 1PX, L50 is up to 2PX and L100 is up to 4PX (please check page 2 for pixels details)  
 (3) RGB with D2 LED is 45°



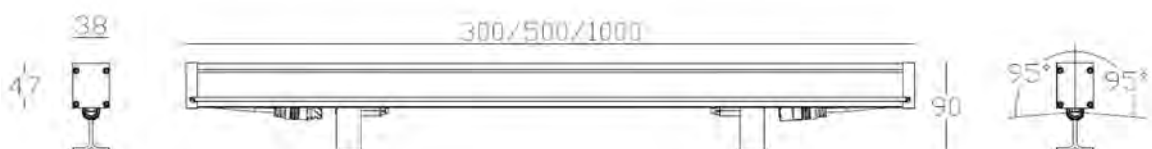
# UniStrip G4 (BCP382)

## Ordering guide

ex: BCP382 18LED 27K 24V 30 L50 DMX

BCP382	18LED	27K	24V	30	L50	DMX	
Family	# of LEDs	CCT / Color	Voltage	Beam Angle	Length	Control/Pixels <sup>(2) (3)</sup>	LED Code
BCP382 – UniStrip G4	9LED <sup>(1)</sup> 18LED 36LED	27K – 2700K 30K – 3000K 40K – 4000K 50K – 5000K BL – Blue RD – Red GN – Green AM – Amber tW – Tunable White RGB – RGB <sup>(2)</sup>	24V – 24V DC	17 – 17° A2 – 16°x35° 30 – 30° 40 – 40° <sup>(4)</sup>	L30 – 300mm L50 – 500mm L100 – 1000mm	– On/Off DMX – DMX 1 Pixel 2PX – DMX 2 Pixels 3PX – DMX 3 Pixels 4PX – DMX 4 Pixels 6PX – DMX 6 Pixels	D2 – OSRAM HP D3 – LUMILEDS HP
	6LED 12LED 24LED	RGBWW – RGBW(3000K) RGBNW – RGBW(4000K)		A4 – 25x40° 30 – 30° 50 – 50°			

- (1) Tunable white is 8LED  
 (2) RGB number of LEDs are 6, 12, 24  
 (3) RGB, RGBW and tW are only available in DMX  
 (4) RGB with D2 LED is 45°  
 (5) For detailed Pixels of each length/option, please check the table next page



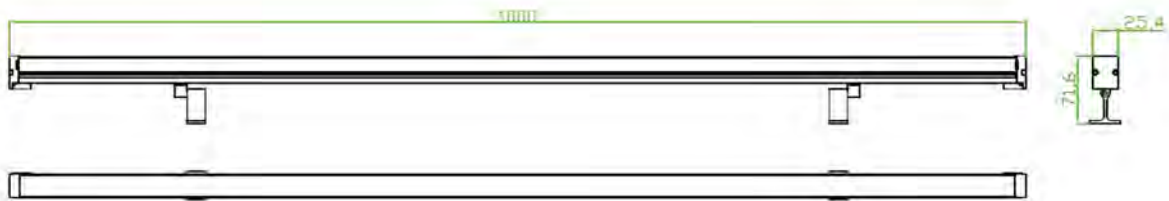


# UniStrip G4 (BCP386)

## Ordering guide

ex: BCP386 60LED RGB 24V A3 L100 DMX

BCP386			24V		L	
Family	LEDs <sup>(1)</sup>	CCT / Color	Voltage	Beam Angle	Length	Control/Pixels <sup>(2) (3)</sup>
BCP386 – UniStrip G4 Slim	12LED 30LED 60LED	27K – 2700K 30K – 3000K 40K – 4000K 50K – 5000K tW – Tunable White	24V – 24V DC	45 – 45° 60 – 60° A11 – 20x30°	L30 – 300mm L50 – 500mm L100 – 1000mm	– On/Off DMX – DMX 1PX 2PX – DMX 2PX 5PX – DMX 5PX 10PX – DMX 10PX
		BL – Blue RD – Red GN – Green AM – Amber RGB – RGB RGBWW – RGBW(3000K)		30 – 30° 45 – 45° A3 – 20x40°		
				45 – 45°		

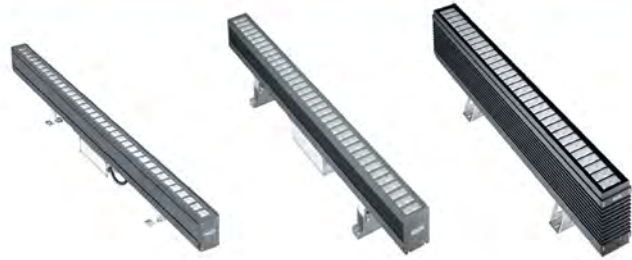


# UniStrip G4 (AC)

Linear AC powered wall washing luminaires suitable for façade and bridges applications.

<b>Number of Lengths:</b>	3 (300, 500/520, 1000mm)
<b>Number of Optics:</b>	10 optics (vary per family)
<b>Symmetrical Optics:</b>	7.5°, 15°, 30°, 45°, 50°
<b>Asymmetrical Optics:</b>	7.5x27°, 7.5x50°, 15x40°, 16x35°, 25x40°
<b>White CCTs:</b>	2700, 3000, 4000, 5000K
<b>Mono Colors:</b>	Red, Green, Blue, Amber
<b>Color Changing:</b>	RGB, RGBW, tW
<b>IP/IK Ratings:</b>	IP66/IK06
<b>Tilting Angles:</b>	BCP383: ±95°, BCP385: ±58° BCP384: -15~90°
<b>Control Interfaces:</b>	On/Off   DMX
<b>Pixel Control:</b>	Up to 6 pixels

3 Sizes, 10 Optics  
Through wiring (DMX)  
WH, Mono, RGB, RGBW, tW  
10~120W  
220Vac, DMX



- Lumen output: up to 6,500lm (4000K) and power to 120W
- Narrow beam available 7.5° for higher reach
- Voltage input 220-240Vac for hassle free installation and wiring
- Multiple pixels options (up to 6 pixels)
- PMMA lenses with a wide range of optics
- Drainage design on top surface and end caps to minimize dirt and water accumulation for both up and down lighting applications
- Optional glare shields for more visual comfort
- Through wiring for DMX signal through male/female IP67 connectors
- Dedicated addressing wires for fast and convenient DMX addressing (only through our handheld addressing tool)
- Useful life (WH): 50,000 hrs L70 @ 35°C
- Useful life (RGB): 50,000 hrs L50 @ 35°C



# UniStrip G4 (BCP383)

## Ordering guide

ex: BCP383 18LED RGB 220V A2 L50 DMX D2

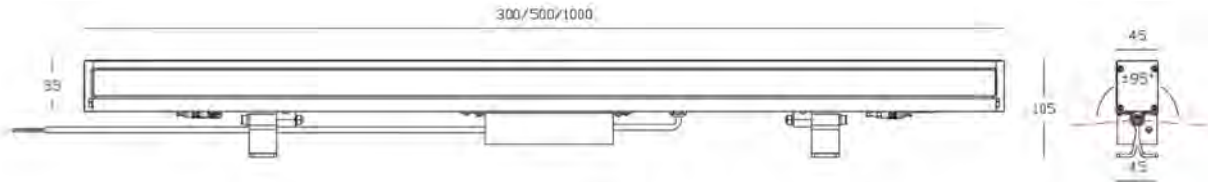
BCP383	18LED	RGB	220V	A2	L50	DMX	D2
Family	# of LEDs	CCT / Color	Voltage	Beam Angle	Length	Control/Pixels <sup>(1)(4)</sup>	LED Code
BCP383 – UniStrip G4	6LED	27K – 2700K	220V –	A2 – 16x35° <sup>(1)</sup>	L30 – 300mm	– On/Off	D2 – OSRAM HP
	12LED	30K – 3000K	220V-240V AC	15 – 15° <sup>(2)</sup>	L50 – 500mm	DMX – DMX 1 Pixel	D3 – LUMILEDS HP
	24LED	40K – 4000K		30 – 30°	L100 – 1000mm	2PX – DMX 2 Pixels	
		50K – 5000K		45 – 45° <sup>(3)</sup>		3PX – DMX 3 Pixels	
		BL – Blue		A4 – 25x40° <sup>(2)</sup>		4PX – DMX 4 Pixels	
		RD – Red		50 – 50° <sup>(2)</sup>		6PX – DMX 6 Pixels	
		GN – Green					
		AM – Amber					
		RGBWW –					
		RGBW(3000K)					
		RGBNW –					
		RGBW(4000K)					
		tW – Tunable White					
	9LED	RGB – RGB					
	18LED						
	36LED						

(1) Not available for RGBW versions

(2) Available only for RGBW versions

(3) RGB, RGBW and tW are only available in DMX

(4) For detailed Pixels of each length/option, please check the table next page



# UniStrip G4 (BCP384)

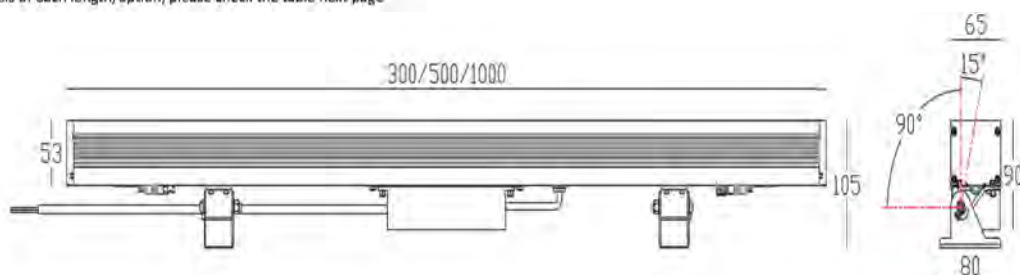
## Ordering guide

ex: BCP384 36LED 40K 220V 17 L100 DMX

BCP384			220V		L		
Family	# of LEDs	CCT / Color	Voltage	Beam Angle	Length	Control/Pixels <sup>(1)(2)</sup>	LED Code
BCP384 – UniStrip G4	9LED	27K – 2700K	220V –	A2 – 16x35°	L30 – 300mm	– On/Off	D2 – OSRAM HP
	18LED	30K – 3000K	220V-240V AC	15 – 15°	L50 – 500mm	DMX – DMX 1 Pixel	D3 – LUMILEDS HP
	36LED	40K – 4000K		30 – 30°	L100 – 1000mm	2PX – DMX 2 Pixels	
		50K – 5000K		45 – 45°		3PX – DMX 3 Pixels	
		BL – Blue				4PX – DMX 4 Pixels	
		RD – Red				6PX – DMX 6 Pixels	
		GN – Green					
		AM – Amber					
		tW – Tunable White					
	12LED	RGB – RGB					
	24LED	RGBWW –					
	48LED	RGBW(3000K)					
		RGBNW –					
		RGBW(4000K)					

(1) RGB, RGBW and tW are only available in DMX

(2) For detailed Pixels of each length/option, please check the table next page





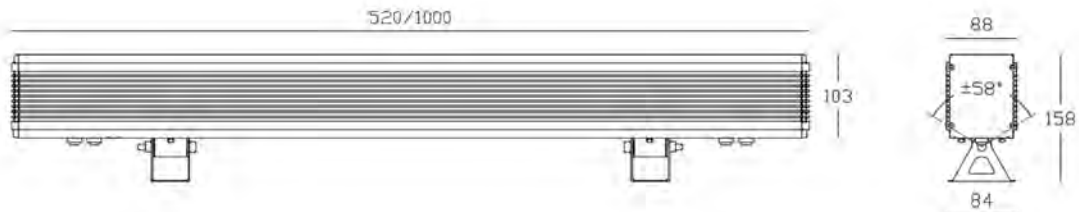
# UniStrip G4 (BCP385)

## Ordering guide

ex: BCP385 30LED 30K 220V 7 L52 DMX

BCP385			220V		L		
Family	# of LEDs	CCT / Color	Voltage	Beam Angle	Length	Control Interface	LED Code
BCP385 – UniStrip G4	24LED	27K – 2700K	220V –	7 – 7,5° (1)	L52 – 520mm	– On/Off DMX – DMX	D3 – LUMILEDS HP
	30LED	30K – 3000K 40K – 4000K 50K – 5000K	220V-240V AC	A1 – 7,5x27° A5 – 7,5x50° (2)			
	48LED	RGB – RGB			L100 – 1000mm		
	60LED	BL – Blue RD – Red GN – Green AM – Amber tW – Tunable White					
	6LED	RGBWW – RGBW(3000K)		A7 – 15x40°	L52 – 520mm		
	12LED	RGBNW – RGBW(4000K)			L100 – 1000mm		

- (1) Not available for RGB  
 (2) Available only for RGB



# UniDot G2

Direct view dot luminaire suitable for façade and decorative architectural lighting applications. Housing made of die-cast aluminum and covers are made of PC. New covers design, flat, spherical and diamond. Improved design, more options, more covers and higher luminance than G1.

<b>Number of Sizes:</b>	3 sizes (S/M/L)
<b>Covers Shapes:</b>	Flat, Spherical
<b>Covers Finishing:</b>	Clear, Opal, Diamond
<b>White CCTs:</b>	2700, 3000, 4000, 5000K
<b>Mono Colors:</b>	Red, Green, Blue, Amber
<b>Color Changing:</b>	RGB, RGBW, tW
<b>IP/IK Ratings:</b>	IP66/IK06
<b>Control Interfaces:</b>	On/Off   DMX
<b>Successor to:</b>	UniDot G1

**3 Sizes, 3 Covers Types**  
**Through wiring (Power/DMX)**  
**WH, Mono, RGB, RGBW, tW**  
**24Vdc, 3/6/9W**

- Lumen output: up to 850lm (4000K) and power to 9W
- High quality PC cover with standard three covers types
- Universal installation position including up and down lighting applications
- Through wiring for Power/DMX signal through male/female IP67 connectors
- Dedicated addressing wires for fast and convenient DMX addressing (only through our handheld addressing tool)
- Useful life (WH): 50,000 hrs L70 @ 35°C
- Useful life (RGB): 50,000 hrs L50 @ 35°C

### Serviceable Parts:

- Only PC covers are replaceable
- The customer may order extra luminaires and cables/connectors as spare parts in case of urgent replacement.



Comparison	G1		G2*	
<b>Sizes</b>	S: Ø70 x 52 mm M: Ø90 x 51 mm L: Ø140 x 51mm		S: Ø72 x 34mm M: Ø100 x 63.5mm L: Ø124 x 42.5mm	
<b>Covers</b>	Milky Semi Spherical		Clear Flat Opal Spherical Diamond Spherical	
<b>Lumen output / Power (4000K)</b>	S: 164 M: 217 L: 506	2.4W 3W 6.8W	S: 249 M: 456 L: 852	3W 6W 9W
<b>Lumen output / Power (RGB)</b>	S: 73 M: 109 L: 257	3.4W 4.8W 10.8W	S: 72 M: 170 L: 424	3W 6W 9W
<b>Lumen output / Power (RGBNW)</b>	N/A		S: 115 M: 224 L: 425	3W 6W 9W

\* G2 comparison is based on Clear Flat Cover (CFC) type

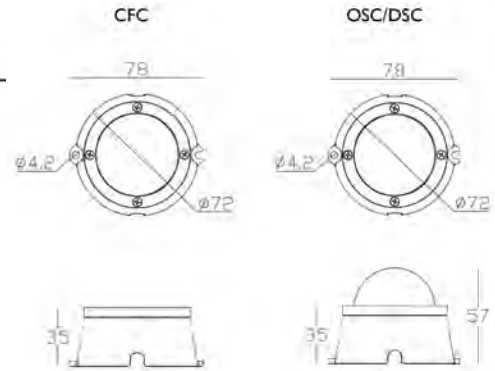
# UniDot G2 (BGS300 G2)

## Ordering guide

ex: BGS300 G2 12LEDLP 30K 24V CFC DMX

BGS300 G2	12LEDLP		24V		
<b>Family</b>	<b># of LEDs</b>	<b>CCT / Color</b>	<b>Voltage</b>	<b>Cover Type</b>	<b>Control <sup>(1)</sup></b>
BGS300 G2 - UniDot G2 Small	12LEDLP (LP = low power)	27K - 2700K 30K - 3000K 40K - 4000K 50K - 5000K RGB - RGB tW - Tunable White RGBWW - RGBW(3000K) RGBNW - RGBW(4000K) BL - Blue RD - Red GN - Green AM - Amber	24V - 24V DC	CFC - Clear Flat Cover OSC - Opal Spherical Cover DSC - Diamond Spherical Cover	- On/Off DMX - DMX

(1) RGB, RGBW and tW are only available in DMX control interface



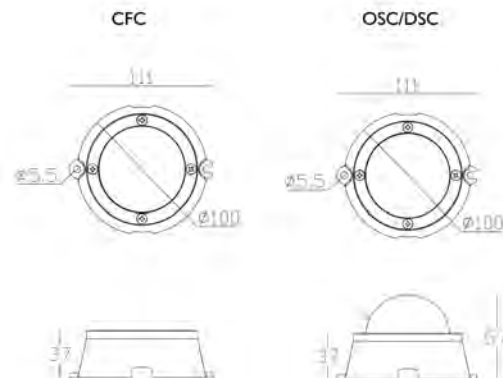
# UniDot G2 (BGS301 G2)

## Ordering guide

ex: BGS301 G2 30LEDLP RGBNW 24V OSC DMX

BGS301 G2	30LEDLP		24V		
<b>Family</b>	<b># of LEDs</b>	<b>CCT / Color</b>	<b>Voltage</b>	<b>Cover Type</b>	<b>Control <sup>(1)</sup></b>
BGS301 G2 - UniDot G2 Medium	30LEDLP (LP = low power)	27K - 2700K 30K - 3000K 40K - 4000K 50K - 5000K RGB - RGB tW - Tunable White RGBWW - RGBW(3000K) RGBNW - RGBW(4000K) BL - Blue RD - Red GN - Green AM - Amber	24V - 24V DC	CFC - Clear Flat Cover OSC - Opal Spherical Cover DSC - Diamond Spherical Cover	- On/Off DMX - DMX

(1) RGB, RGBW and tW are only available in DMX control interface





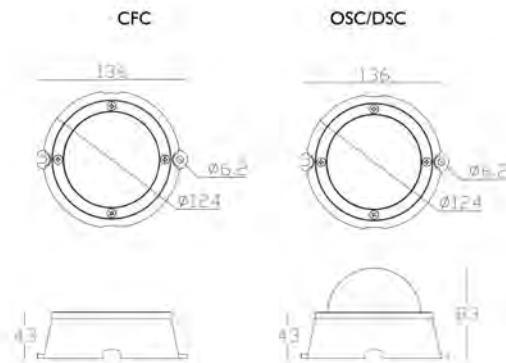
# UniDot G2 (BGS302 G2)

## Ordering guide

ex: BGS302 G2 9LED 40K 24V OSC DMX

BGS302 G2		24V			
Family	# of LEDs	CCT / Color	Voltage	Cover Type	Control <sup>(1)</sup>
BGS302 G2 – UniDot G2 Large	6LED – 6 LED	RGB – RGB RGBWW – RGBW(3000K) RGBNW – RGBW(4000K)	24V – 24V DC	CFC – Clear Flat Cover OSC – Opal Spherical Cover DSC – Diamond Spherical Cover	– On/Off DMX – DMX
	9LED – 9 LED	27K – 2700K 30K – 3000K 40K – 4000K 50K – 5000K BL – Blue RD – Red GN – Green AM – Amber			
	12LED – 12 LED	tW – Tunable White			

(1) RGB, RGBW and tW are only available in DMX control interface



# UniString

Direct view string luminaire suitable for media façade and other direct view applications. Available with symmetric and asymmetric optics and various installation/mounting/wiring options.

<b>Number of Sizes:</b>	3 sizes
<b>Optical Distributions:</b>	110°, 85x110°
<b>White CCTs:</b>	2700, 3000, 4000, 5000K
<b>Mono Colors:</b>	Red, Green, Blue, Amber
<b>Color Changing:</b>	RGB, RGBW, tW
<b>IP/IK Ratings:</b>	IP66/IK06
<b>Control Interfaces:</b>	On/Off   DMX
<b>Mounting Options:</b>	Track, Non-track, SS Cable
<b>Alternative in Current Uni:</b>	N/A

3 Sizes, 0.9~2W  
Through wiring (power/DMX)  
Symmetric and Asymmetric  
Wide range of mounting and wiring



- Power ranges from 1 up to 2W
- PC lenses with standard symmetric and asymmetric optics. Such unique asymmetric optic helps to achieve a clearer, sharper lighting effect and reduces light pollution.
- Optional three installation methods: track-mounted, surface-mounted, stainless steel cable-mounted
- Through wiring for Power/DMX signal through male/female IP67 connectors.
- Dedicated addressing wires for fast and convenient DMX addressing (only through our handheld addressing tool)
- Useful life (WH): 50,000 hrs L70 @ 35°C
- Useful life (RGB): 50,000 hrs L50 @ 35°C



## Serviceable Parts:

- Np parts are serviceable.
- The customer may order extra luminaires and cables/connectors as spare parts in case of urgent replacement.

# UniString (BWS300)

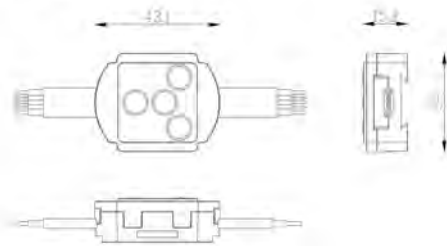
## Ordering guide

ex: BWS300 4LED RGBW 15V S DMX N16P12

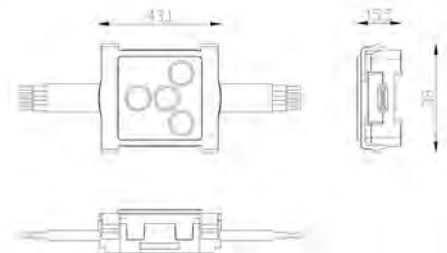
BWS300	4LED		15V	S			NxxPyy
<b>Family</b>	<b># of LEDs</b>	<b>CCT / Color</b>	<b>Voltage</b>	<b>Beam Angle</b>	<b>Control</b>	<b>Mounting</b>	<b>Node/Pitch<sup>(1)</sup></b>
BWS300 – UniString Small	4LED	27K – 2700K 30K – 3000K 40K – 4000K 50K – 5000K RGB – RGB RGBWW – RGBW(3000K) RGBNW – RGBW(4000K) BL – Blue RD – Red GN – Green AM – Amber TW – Tunable White	15V – 15V DC	S – Symmetric 110°	– On/Off DMX – DMX	– Non track mounting TM – Track mounting	N16P12 – 16 Nodes, 125mm pixel pitch

(1) Different number of nodes/pixel pitch available upon request

### Non-track mounted



### Track mounted



# UniString (BWS301)

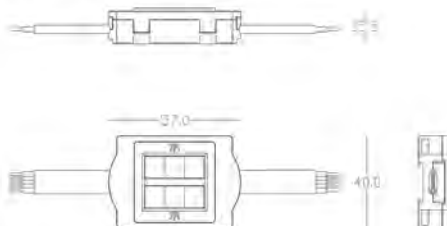
## Ordering guide

ex: BWS301 6LED RGB 24V A DMX TM LR N16P12

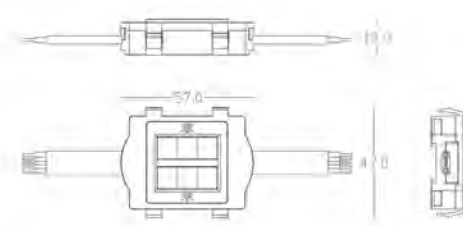
BWS301								NxxPyy
<b>Family</b>	<b># of LEDs</b>	<b>CCT / Color</b>	<b>Voltage</b>	<b>Beam Angle</b>	<b>Control</b>	<b>Mounting</b>	<b>Cable in/out<sup>(1)</sup></b>	<b>Node/Spacing<sup>(4)</sup></b>
BWS301 – UniString Medium	3LED <sup>(2)</sup> 6LED	27K – 2700K 30K – 3000K 40K – 4000K 50K – 5000K RGB – RGB RGBWW – RGBW(3000K) RGBNW – RGBW(4000K) BL – Blue RD – Red GN – Green AM – Amber TW – Tunable White	15V – 15V DC <sup>(3)</sup> 24V – 24V DC	S – Symmetric 110°  A – Asymmetric 85x110°	– On/Off DMX – DMX	– Non track mounting TM – Track mounting	LR – Left/Right RL – Right/Left TB – Top/Bottom BT – Bottom/Top	N16P12 – 16 Nodes, 125mm pixel pitch, spacing

- (1) Available only with asymmetrical optic (A) and not available in RGBW or TW
- (2) Available only for all 3LED and RGBW 6LED versions
- (3) Available only for Asymmetric beam angle
- (4) Different number of nodes and spacing options are available upon request

### Non-track mounted



### Track mounted





# UniString (BWS302)

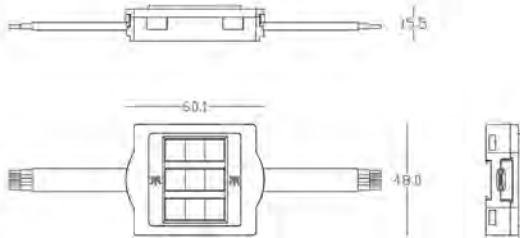
## Ordering guide

ex: BWS302 8LED 40K 24V S DMX N10P20

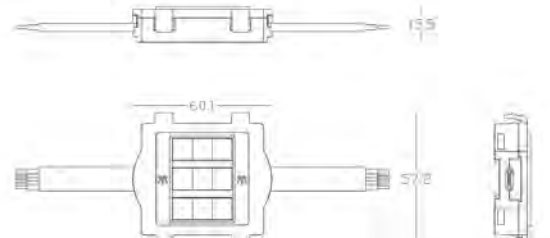
BWS302			24V				NxxPyy		
Family	# of LEDs	CCT / Color <sup>(2)</sup>	Voltage	Beam Angle	Control	Mounting	Cable In/out <sup>(3)</sup>	Node/Spacing <sup>(4)</sup>	
BWS300 – UniString Small	8LED 9LED <sup>(1)</sup>	27K – 2700K 30K – 3000K 40K – 4000K 50K – 5000K RGB – RGB RGBWW – RGBW(3000K) RGBNW – RGBW(4000K) BL – Blue RD – Red GN – Green AM – Amber TW – Tunable White	24V – 24V DC	S – Symmetric 110°  A – Asymmetric 85x110°	– On/Off DMX – DMX	– Non track mounting TM – Track mounting	LR – Left/Right RL – Right/Left TB – Top/Bottom BT – Bottom/Top	N10P20 – 10 Nodes, 200mm pixel pitch spacing	

- (1) 9LED is only available with RGB and RGBW
- (2) RGB and RGBW options are only available with 9LED
- (3) Available only for Asymmetric beam angle
- (4) Different number of nodes and spacing options are available upon request

### Non-track mounted



### Track mounted



# UniBar

Linear direct view luminaire designed for outdoor architectural lighting and media façade application.

<b>Number of Lengths:</b>	3 (300, 500, 1000mm)
<b>Optical distribution:</b>	115x145 / 115x135
<b>White CCTs:</b>	2700, 3000, 4000, 5000K
<b>White CRI</b>	80 (5000K is 70)
<b>White SDCM:</b>	4
<b>Mono Colors:</b>	Red, Green, Blue, Amber
<b>Color Changing:</b>	RGB, RGBW, tW
<b>IP/IK Ratings:</b>	IP66/IK08
<b>Types of Brackets:</b>	2
<b>Control Interfaces:</b>	On/Off   DMX
<b>Pixel Control:</b>	Up to 10 pixels (20 pixel in some custom versions)

2 Sizes, Opal cover  
Through wiring (Power/DMX)  
WH, Mono, RGB, RGBW, tW  
3~15W, 24Vdc, DMX  
Up to 20 Pixels

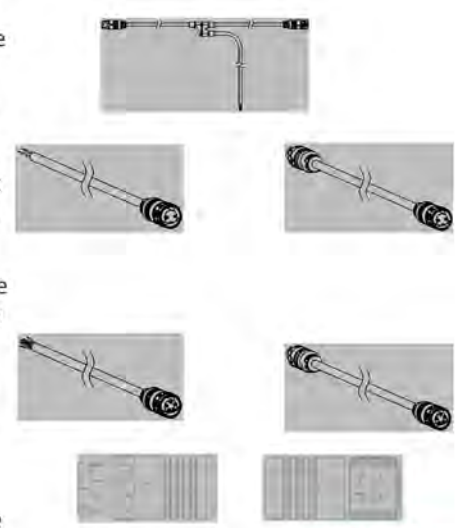
- Lumen output: up to 770lm (4000K) and power to 15W
- Multiple pixels options (up to 20 pixels)
- PC opal cover with a direct view optic
- Drainage design to prevent accumulation of water
- Through wiring for DC power + DMX signal through male/female IP67 connectors
- Dedicated addressing wires for fast and convenient DMX addressing (only though our handheld addressing tool)
- Useful life (WH): 50,000 hrs L70 @ 35°C
- Useful life (RGB): 50,000 hrs L50 @ 35°C

## Serviceable Parts:

- Only brackets can be replaced
- The customer may order extra luminaires and cables/connectors as spare parts in case of urgent replacement.

## Accessories:

- **2P Leader cable:** connects from the 24Vdc PSU to the first luminaire in the group; one end is with 2-pole flying wires and the other end is with a female connector. Standard length is 2M
- **2P Jumper cable:** connects the 24Vdc power between luminaires, one end with a male connector and the other with a female connector
- **5P Leader cable:** Connects from the 24Vdc PSU + DMX controller to the first luminaire in the group; one end with 5-poles flying wires and the other end is with a female connector. Length is 2M
- **5P Jumper cable:** connects the 24Vdc + DMX signal between luminaires, one end with a female connector and the other is with a male one. Length is 2M
- **Y-Connector kit:** connects the 24Vdc PSU when a PSU is required to be placed in the middle of a run, have one end with 2-pole flying wires, one with 5P male connector and the third is with 5P female connector. Passes through the DMX signal so no need to place the DMX controller in the middle of the run.
- **End caps:** IP67 end caps for both male and female connectors that MUST be used at the end of each run.



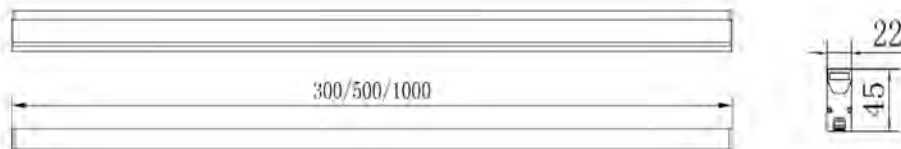
# UniBar – Small (BCS340)

## Ordering guide

ex: BCS340 96LED RGBNW 24V OC L100 8PX

BCS340	LED		24V		L	
Family	LEDs	CCT / Color <sup>(1)</sup>	Voltage	Cover Type	Length	Control/Pixels <sup>(2)</sup>
BCS340 – UniBar Small	12LED 24LED 48LED	27K – 2700K 30K – 3000K 40K – 4000K 50K – 5000K RGB – RGB tW – Tunable White BL – Blue RD – Red GN – Green AM – Amber	24V – 24V DC	OC – Opal Cover	L30 – 300mm L50 – 500mm L100 – 1000mm	– On/Off DMX – DMX 1PX 2PX – DMX 2PX 4PX – DMX 4PX 8PX – DMX 8PX
	24LED 48LED 96LED	RGBWW – RGBW(3000K) RGBNW – RGBW(4000K)				

- (1) RGB, RGBW and tW are only available in DMX  
 (2) For detailed pixels information, please check page 2



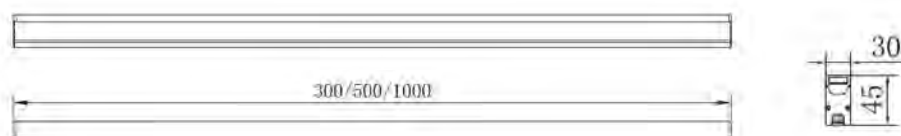
# UniBar – Medium (BCS341)

## Ordering guide

ex: BCS341 60LED RGB 24V OC L100 10PX

BCS341	LED		24V		L	
Family	LEDs	CCT / Color <sup>(1)</sup>	Voltage	Cover Type	Length	Control/Pixels <sup>(2)</sup>
BCS341 – UniBar Medium	18LED 30LED 60LED	27K – 2700K 30K – 3000K 40K – 4000K 50K – 5000K RGB – RGB tW – Tunable White BL – Blue RD – Red GN – Green AM – Amber	24V – 24V DC	OC – Opal Cover	L30 – 300mm L50 – 500mm L100 – 1000mm	– On/Off DMX – DMX 1PX 3PX – DMX 3PX 5PX – DMX 5PX 10PX – DMX 10PX
	36LED 60LED 120LED	RGBWW – RGBW(3000K) RGBNW – RGBW(4000K)				

- (1) RGB, RGBW and tW are only available in DMX  
 (2) For detailed pixels information, please check page 2







## Main Controller

Industrial 32-bit Windows 10 computer with the control software preinstalled.

### Features:

- Two versions: DMX and DMX/RDM
- Standard can control up to 1M pixels (RGB), ETO for up to 4M pixels
- AC input voltage
- Supports multiple LED Player software
- Synchronize with NTP or GPS
- Unattended operation and remote control for prolonged period of times via scheduling.
- Supports Art-Net communications protocol
- 2 RJ45 network interfaces (100/1000M adaptive)
- Support dual redundant signal transmission, the system is more stable
- Easily upgrade devices over the network

Industrial computer  
Art-net support  
Up to 6,000 Universes  
Animation playback  
Remote control / Debugging

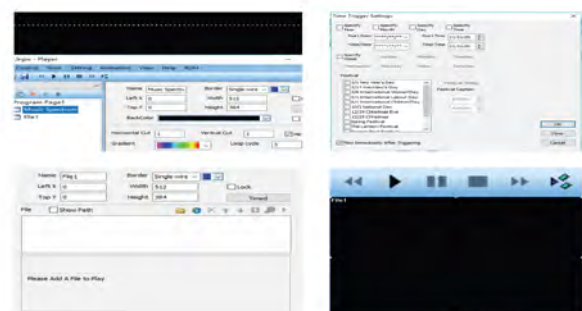


## DMX Control Software

Software and license are included with the main controller, it can be set to run automatically and perform tasks once the main controller is turned on.

- Supports daily, weekly and special events (festivals) scheduling
- Supports multiple types of files including video, images and even text files.
  - AVI/SWF/RMVB/MOV/MPG... etc.
  - JPG/GIF/BMP... etc.
  - TXT, DOC, XLS
- Can interact the effect through audio input
- Supports RDM for monitoring luminaires (RDM versions)
- Supports remote video management and remote site management

Easy user interface  
Schedule videos/animations  
DMX and RDM versions  
Remote video management  
Remote site management



## Stand-Alone DMX Controller

### Features:

- Can control up to 120,000 pixels (RGB)
- Supports only DMX (no RDM)
- More economical than main controller; perfect fit for small to medium applications
- Replace any control equipment without resetting any parameters
- 8GB SD card included to store the scenes, and automatically play them and the card can also have automatic timing and playback scheduling
- Amplifies DMX signal in case of cascaded connection
- Two network ports for cascaded connection between controllers (can be used also as Main/Backup port)
- Scenes files can be sent remotely to the device to store on the SD card and play them
- Easily upgrade devices over the network
- The LCD screen displays the working status of the sub-control device in real time.

Up to 700 Universes  
Can amplify DMX signal  
SD Card Slot  
Remote Control



## Sub-Controllers

### Features:

- Four versions: DMX or DMX/RDM and 8 or 16 ports
- Single port standard 512 channels or extended channels to 1024
- Support firmware online upgrade
- Daisy Chain mode or series connection mode
- Brightness control for easy white balance adjustment
- LCD display module displays the controller status and parameters in real time
- Two network ports for cascaded connection between controllers
- Controller automatically numbered and displays the connection status in the software.
- Max cable length = 100m and Input voltage 12Vdc
- Enhanced signal port anti-surge and static design
- Supports automatic addressing

Art-Net to DMX or DMX/RDM  
Manual Addressing  
8 or 16-Channel Output  
Gamma Correction Algorithm



## UniPlayer 8 Ports

### Features:

- Can control up to 8 DMX universes
- No need to use Sub-controllers, output is DMX directly
- Supports only DMX (no RDM)
- 8GB SD card slot to store the scenes, and automatically play them and the card can also have automatic timing and playback scheduling
- The LCD screen displays the working status of the sub-control device in real time.
- Perfect for small and medium sized projects where main/sub controllers setup is considered as expensive or complicated.

8 Universes  
Independent DMX Player  
SD Card Slot  
No need for Sub-controllers





## UniPlayer Mini

### Features:

- Can control 1 DMX universe
- No need to use Sub-controllers, output is DMX directly
- Supports only DMX (no RDM)
- Perfect fit for mockups and temporary small applications
- 2MB internal memory to store the scenes
- 6 preloaded scenes
- Three buttons to navigate between scenes (mode), increase the scene speed (+) and reduce it (-).

1 Universe  
Standalone DMX Player  
Internal Memory  
No need for Sub-controllers



## Addressing Device

Handheld and compact sized addressing device for all new Uni DMX luminaires.

### Features:

- Compact, fast and convenient
- Automatic addressing for a whole run in seconds
- Quick automatic/manual testing methods
- USB power input
- Touch screen
- Can set multiple parameters (baud rate, playback speed, color number... etc.)
- Pre-equipped with a variety of animation effects
- SD card slot to store animation, playback scenes, speed.
- Can be used as an animation/scenes players as well

Compact & Handheld  
Automatic Addressing  
USB Power Input  
SD Card Slot  
Animation/Scenes Player



## DMX Signal Amplifier (Repeater)

### Features:

- DMX or DMX/RDM amplification for up to 100m OR
  - 64 DC powered DMX luminaires OR
  - 32 AC powered DMX luminaires OR
  - 32 DMX/RDM luminaires
- Magnetic couple isolation protection to prevent control circuit failure and ensuring safe operation
- One version is to be used with the DC powered luminaires (5P connectors) and it's powered from the same PSU as the luminaires
- The other version to be used with the AC powered luminaire (4P cable connector with external PSU flying wires) and the installer will need to add a 24Vdc PSU to power the amplifier in this case
- Support online automatic addressing
- Low power consumption (2W)

Compact Size / Low Power  
Electromagnetic Isolation  
Rated IP65 for outdoor use  
24V 5P version can be thoroughly powered  
Includes m/f IP67 connectors





©signify



## Controls Product Guide

interact

PHILIPS  
dynamilite 



# Signify offers controls solutions for any requirements and budget

## Benefits of Signify lighting controls

**Energy savings** – By using intelligent lighting systems features such as Adaptive Dimming and Dwell Time (from Interact Pro), lighting is only used when needed and adapted to occupancy patterns. Natural light is harvested, and supplementary lighting adjusted accordingly, resulting in optimized environmental performance and minimized operating and maintenance costs.

**Scalability** – Signify control solutions adopt a flexible approach to accommodate building growth or churn – accommodating building journey to be smarter and connected and adapting to changing tenancies, fluctuating staff numbers, addition of new spaces etc. The same components can be used in a single-room application or in larger projects involving thousands of controlled units.

**Ease of installation and configuration** – Both Philips Dynalite and Interact Pro systems are easier to install and take less time to configure than conventional technologies, allowing customers to activate the project quickly and in a cost-effective manner.

**Code compliance** – Whether it is Title 24, IECC, ASHRAE or Well Building standard, Signify control solutions are up to date with the latest building code. See product specifications for compliance details.

**Preset lighting control** – This is more than just on/off lighting control. Signify control solutions allow you to create ambiance and recall different lighting scenes to suit your mood and the occasion.

**Distributed control and monitoring** – With logic being distributed between various devices in the network, there is not a single point of failure. Moreover, you can configure, control and monitor all the lights and system components by adding network gateways.

**Flexibility in design** – When layouts or control methods require modification, changes can be carried out via a simple configuration tool, allowing facilities to easily adapt and respond to changing times.

**Advanced integration into other systems** – Signify control solutions offer a range of integration devices, network gateways and APIs to integrated lighting and work in conjunction with other systems, such as building management systems, access control, fire and safety systems etc.

**Human Centric Lighting** – With the combination of tunable white technology and smart controls, get the freedom to create different ambiances in offices, schools, retail spaces, and healthcare environments and adapt the lighting to match the activity or enhance the atmosphere in the space. Moreover, automatically mimic daylight patterns by adjusting color temperature and brightness levels with respect to time of day for optimal visual comfort.

Signify Controls Product Guide





# interact

## Wireless

Interact Pro scalable system with integrated and connected sensor allows you to make the leap from smart lighting to super smart lighting. Its simple wireless offering makes your smart building journey easy and cost effective.

### Why choose Interact Pro scalable system?

- A simple wireless system with a tiered approach between Foundation → Advanced → Enterprise, to suit your specific needs.
- Out of the box energy savings of up to 75%<sup>2</sup> and up to 85%<sup>3</sup> with gateways\*
- No gateway, no IT support required
- No light point restrictions, no extra wiring
- Protect your day 1 investment and scale up to the next tier without replacing or retouching your day 1 lighting setup
- DLC and code compliant [ASHRAE 90.1 (2019), T24 (2019) and IECC (2018) building codes]
- Fast and easy commissioning and start up
- [Adaptive dimming](#) and [dwell-time](#) features enable the system to adapt to occupancy patterns in real time – delivering deep energy savings while maintaining occupancy comfort levels
- For more information go to: [www.interact-lighting.com/interactproscalablesystem](http://www.interact-lighting.com/interactproscalablesystem)

\* See footnotes on page 2 for Interact Pro and page 6 for Philips Dynalite

# PHILIPS dynalite

## Wired

When you choose Philips Dynalite, you are selecting the world's finest lighting control system. Tried and tested in more than 30,000 projects, Philips Dynalite has implemented some of the largest and most extensive control networks around the globe. The same robust technology can be used in any application, on any scale.

### Why choose Philips Dynalite?

- Up to 85% energy savings with a distributed networked controls approach<sup>2,3</sup>\*
- True hybrid system allowing for 0-10V, Phase cut, PWM, DALI, DMX, switching all dimming options from one system
- Highly configurable – achieve any combination of sophisticated outcomes customized to the exact needs of each living space
- Get pre-configured room automation features
- Many different user interfaces from which to choose, supporting custom engraving to match your needs
- Operate as standalone or network your entire building for central management
- DLC and code compliant [ASHRAE 90.1 (2019), T24 (2019) and IECC (2018) building codes]
- For more information go to: [www.dynalite.org](http://www.dynalite.org)



## Start simple and lay the foundation

- Smart lighting with luminaire integrated occupancy and daylight sensor
- Simply connect the Interact Ready luminaires, retrofit kits and lamps with the intuitive Interact Pro app through a Bluetooth connection.
- Add sensors, switches, 3rd party 0-10V or phase dimming luminaires.
- Set-up is simple and straightforward, just like SpaceWise: no need for additional wiring or access to the building's internet connection.
- Save up to 80% on installation and material cost compared with more complex systems.<sup>1</sup>
- Boost energy savings up to 75% with the unique adaptive dimming and dwell time features.<sup>2</sup>



## Scale up for more benefits by adding a gateway

- Instant access to cloud-based benefits and functionality such as scheduling, remote access, adaptation and energy monitoring, light point information regarding lifetime and health, as well as regular feature updates.
- Integrate with utilities for Open ADR based demand response strategy
- As your system grows, you can keep and build on all previously installed light points.



## Tap the full potential of the IoT

- Access to occupancy, asset health and environmental sensing data
- Optimize workspace quality, improve safety and productivity and boost employee engagement – even across multi-sites.
- Unlock more savings with BMS integration
- Minimize waste with real time way-finding and desk/room booking tools



<sup>1</sup> Compared to installation of wired networked lighting control systems.

<sup>2</sup> Based on installation in the GSA-operated Metcalfe Federal Building located in Chicago, Illinois. This project was installed under the GSA Green Proving Ground Program. <https://www.assets.signify.com/is/content/Signify/Assets/philips-lighting/united-states/20201013-gpg-findings-integrated-with-alc.pdf>

<sup>3</sup> Additional savings derived from HVAC, plug load control integrations and optimizing performance based on usage trends.

## Functionalities overview

		Foundation	Advanced	Enterprise
Meet building codes	Integrated occupancy and daylight sensing	✓	✓	✓
	Manual ON	✓	✓	✓
	Partial automatic ON	✓	✓	✓
	Multi-level continuous dimming	✓	✓	✓
	Automatic shut-off control	✓	✓	✓
	Automatic daylight responsive control	✓	✓	✓
	Automatic receptacle control (Plug load control)	✓	✓	✓
	UL924 Emergency	✓	✓	✓
	Automatic Demand Responsive controls (Open ADR)		✓	✓
Comply with DLC	Networking of luminaires and devices	✓	✓	✓
	Luminaire Level Lighting Control (LLLC, integrated)	✓	✓	✓
	High-end trim	✓	✓	✓
	Zoning	✓	✓	✓
	Individual addressability	✓	✓	✓
	Cybersecurity	✓	✓	✓
Maximize energy savings, rebates & comfort	Adaptive dimming (light when you need it, where you need it)	✓	✓	✓
	Dwell time	✓	✓	✓
	BlueTooth (BLE) connectivity (for commissioning only)	✓	✓	✓
	Scene control	✓	✓	✓
	Personal control for a single user	✓	✓	✓
	Energy reporting and export		✓	✓
	Scheduling		✓	✓
	Device monitoring/remote diagnostics		✓	✓
Beyond code	Multi-site management		✓	✓
	Floor plan visualization			✓
	Occupancy analytics (heatmaps)			✓
	BACnet integration			✓
	APIs (light control, occupancy, people count)			✓
	Physically swap/upgrade sensors			✓
IoT features	Room booking via App (e.g. meeting room reservation)			✓
	Interface for Outlook and Google calendar integration			✓
	Desk booking via App			✓
	People estimation (via SC1500 sensor, and people counting supported via external PointGrab sensor)			✓
	Temperature & humidity sensing (via SC1500 sensor)			✓
	Noise classification sensing (via SC1500 sensor)			✓
	Wayfinding via App			✓
	Indoor positioning SDK			✓
	IoT Apps: Kiosk App, Space Management App, Workspace App			✓

Interact Pro  
scalable system devices

Foundation devices				
				
Interact-ready wireless luminaires	Interact Pro scalable sensor SNS210IA (SWZCS)	Commissioning device (IRT9015)	Wireless scene switches (SWS200)	Wireless dimmer switch 2B (UID8451/10)
				
Interact Pro app for Android and iOS	0-10V or Phase control modules (SBAZ10-CS or SBAELS-CS)	Wireless switch relay controller (RFSR10)	UL924 shunt module (ER100/00)	

Optional devices for Advanced				
				
Wireless gateway (LCN1840/05)	Wireless gateway for demand response (LCN1870/05)	Battery powered wireless IP42 sensor*	Interact Pro portal	Wireless occupancy and daylight sensor (LCN3120/05)*

\* Can be deployed with smart lamps in Foundation and Enterprise setups

Optional devices for Enterprise				
				
Wireless gateway (LCN1850/05)	BCB (LCN1860/05)	Multi sensor bundle (SC1500)	Interact web software application	Space management and Workspace mobile apps



**Interact Pro  
scalable system architecture**

