

Controls

Choose your desired level of control

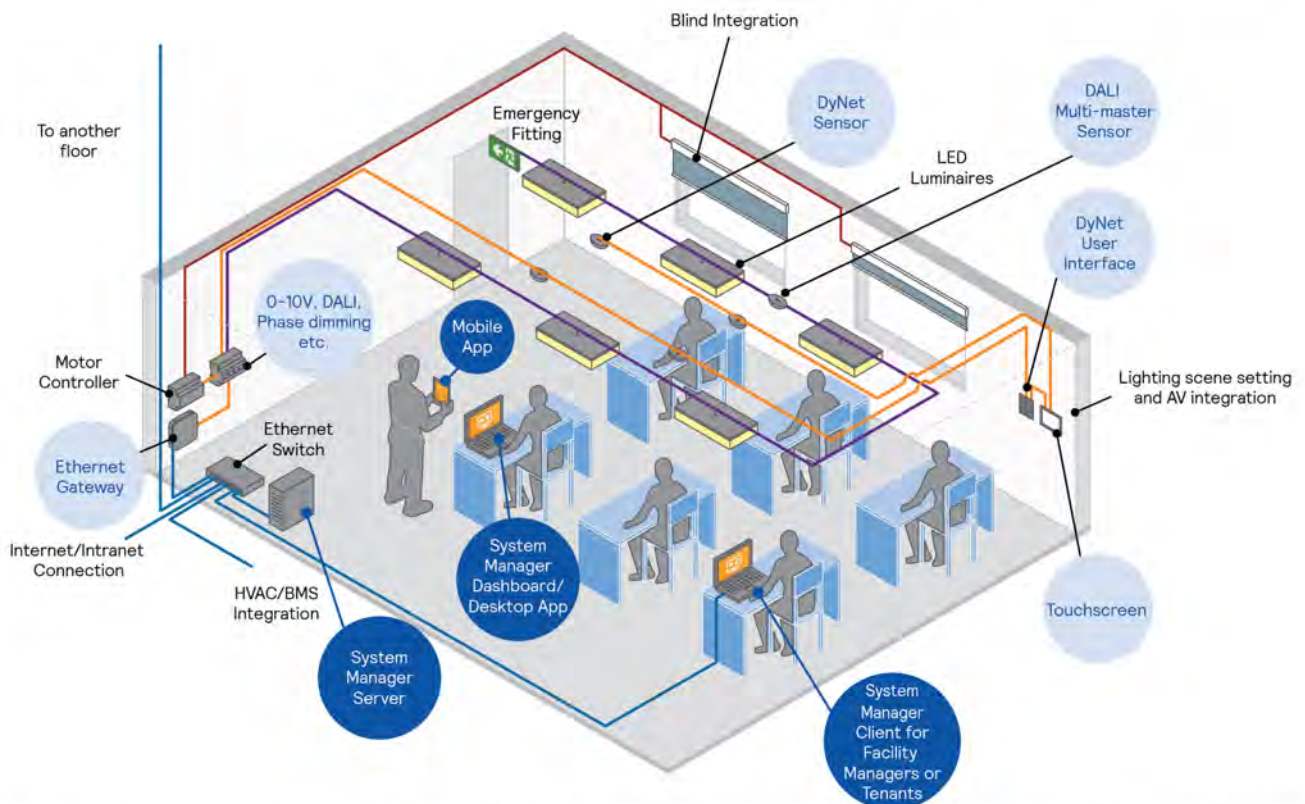
- Save up to 75%² energy with occupancy and daylight sensor based controls. Up to 85%³ savings with integration to HVAC, plug load and other sub-systems.
- Independent functionality with distributed intelligence and no single point of failure.
- Integrate your lighting controls with HVAC, blinds and AV systems with a comprehensive range of integration devices.
- Be it DALI, 0-10V, DMX, relay or phase dimming, the system offers flexibility around multiple dimming protocols.
- Deploy as standalone controls or network multiple spaces together for central monitoring and management.
- Choose design options from the award winning [Antumbra](#) user interfaces for chic look and feel.

See how the hardware, protocols, and software work together with ease

- All Dynamalite system components (hardware, protocols and software) directly complement each other, granting every device on the network access to all the system features and functions as needed.

Get the ultimate end-user experience with System Manager

- System Manager is the dedicated head-end software for Dynamalite systems. With direct access and oversight across the entire system, this application presents the most advanced and powerful features in an intuitive and representative format, enabling true end-user ownership of system operations.
- It includes maintenance tools, detailed reports of energy usage, lighting status, and system performance, paired with an easy-to-use console and clear and concise floor plans.



² Based on installation in the GSA-operated Metcalfe Federal Building located in Chicago, Illinois. This project was installed under the GSA Green Proving Ground Program. <https://www.assets.signify.com/is/content/Signify/Assets/philips-lighting/united-states/20201013-gpg-findings-integrated-with-alc.pdf>

³ Additional savings derived from HVAC, plug load control integrations and optimizing performance based on usage trends.

Functionalities overview

		Controls	System Manager
Meet building codes	Ceiling and wall mounted occupancy and daylight sensing	✓	✓
	Manual ON	✓	✓
	Partial automatic ON	✓	✓
	Multi-level continuous dimming	✓	✓
	Automatic shut-off control	✓	✓
	Automatic daylight responsive control	✓	✓
	Automatic receptacle control (Plug load control)	✓	✓
	UL924 Emergency	✓	✓
	Automatic Demand Responsive controls (Open ADR)		✓
Comply with DLC	Networking of luminaires and devices	✓	✓
	High-end trim	✓	✓
	Zoning	✓	✓
	Individual addressability	✓	✓
	Cybersecurity		✓
Maximize energy savings, rebates & comfort	Adaptive dimming (at an area level)	✓	✓
	Tunable white and color control	✓	✓
	Dwell time	✓	✓
	Scene control	✓	✓
	Scheduling	✓	✓
	Personal control		✓
	Energy reporting and export		✓
	Device monitoring/remote diagnostics		✓
Beyond code	BACnet integration	✓	✓
	Advanced integration (A/V, blinds, motor etc)	✓	✓
	Multi-protocol support (DALI, DMX, 0-10V, phase)	✓	✓
	Pre-configured solutions (eg. Room automation system, UVC controls)	✓	✓
	Multi-site management		✓
	Floor plan visualization		✓
	Occupancy analytics (heatmaps)		✓
	User profiles and role based permissions		✓
IoT features	Temperature & humidity sensing (via Antumbra & Revolution UIs)	✓	✓
	IoT Apps: iOS and Android	✓	✓
	Remote upgrades: Software and firmware upgrades over the network		✓
	APIs (light control, curtain control)		✓

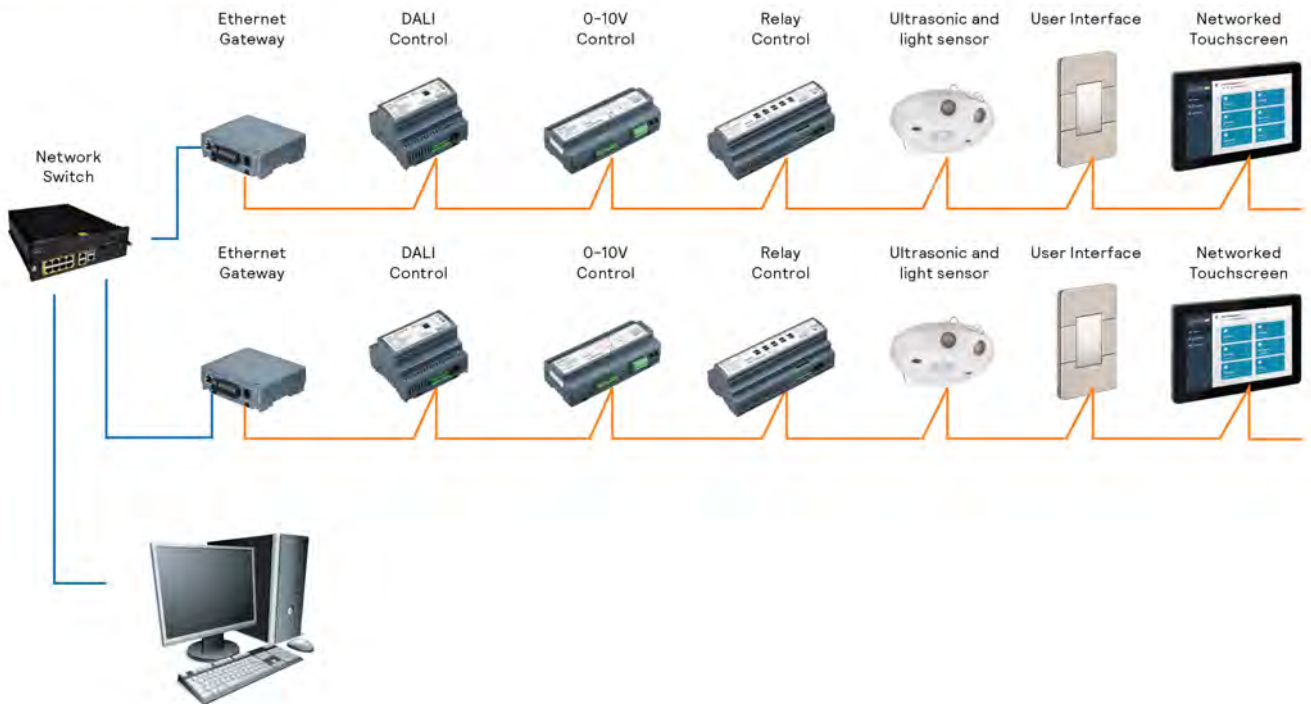
Controls

Dynalite
controls devices

User interfaces					
AntumbraButton (PAXBPA)	AntumbraDisplay (PADPA)	AntumbraTouch (PATPA)	Revolution Series (PDRxA)	DyNet Communication Module (DACM-DyNet)	Networked Touchscreen (PDTs)
Sensors					
Multifunction Sensor (DUS360CR)	Multifunction Sensor (DUS360CS)	Multifunction Sensor DALI (DUS360CS-D)	Multifunction Sensor (DUS804CS-UP)	Multifunction Sensor 90° (DUS90CS)	Multifunction Sensor 30° (DUS30CS)
Relay controllers					
Multi-Protocol Switching Room Controller (DDRC-GRMS-E)	4 Channel Relay Controller (DDRC420FR)	8 Channel Relay Controller (DDRC810DT-GL)	12 Channel Relay Controller (DDRC1220FR-GL)		
Power dimmers		Signal dimmers			
PWM Controller (DDLEDC605GL)	DALI-2 Driver Controller, 1 DALI universe (DDBC120-DALI)	DALI-2 Driver Controller, 3 DALI universes (DDBC320-DALI)	Signal Dimmer Controller, 5 Channel (DDBC516FR)	Signal Dimmer Controller, 12 Channel (DDBC1200)	
Multipurpose controllers					
Multipurpose Modular Controller + Control Modules (DDMC802)	Multipurpose Modular Panel + Control Modules (DDMC2)	Multipurpose Modular Panel + Control Modules (DDMC4)			

Integration devices				Electrical accessories	
RS-232 Network Gateway (DDNG232-NA)	BACnet Network Gateway (DDNG-BACnet)	Dry Contact Interface (DLLI8180)	Low Level Input Integrator (DDMIDC8-NA)	Network Power Supply (DMNP24040-P-NA)	DIN Rail Enclosure (DH2X24)
Network devices					
Ethernet Gateway - Supervisor (PDDEG-S)	Ethernet Gateway (PDEG)	RS-485/DMX512 Gateway (DDNG485-NA)	PC Node (DTK622-USB-J-NA)	Serial Port Node (DMNG-232-NA)	Serial Port Node (DMNG-USB-NA)
Software and Apps				Wired System	
Philips Dynalite System Manager	Philips Dynalite System Builder	Philips Dynalite Control App	Philips Dynalite EnvisionTouch	Philips Dynalite DynamicTouch	UV-C Control System (PDUVCC-NA)
					Room Automation System (PDRAS)

Dynalite system architecture



Room Automation System (PDRAS)

Single-box solution

- Assembled, programmed, and tested in the factory to provide complete out-of-the-box functionality.

Multi-zone support

- Each control system can manage up to five separate zones in single- or dual-room applications.

Networked Multifunction sensor

- Reduce installation complexity and ceiling/plenum clutter with combined occupancy and light level (lux) detection.

Optional networked PIR and ultrasonic sensors

- Expand your system's occupancy detection footprint with up to three extra PIR sensors and/or one long-range ultrasonic sensor per room. Sensors communicate with each other so that their combined occupancy status determines the system response.

Integrated daylight harvesting

- Multifunction sensors micro-adjust lighting levels to meet energy management regulations without disrupting occupant comfort.

Stations with large buttons and simple labelling

- Ensures straightforward operation for non-technical users.

UL924 input

- Integrates seamlessly with compatible emergency systems.

Direct-drive relays

- Isolate power to lighting groups and wall outlets to eliminate standby power consumption

Software-selectable 1-10V / DALI control

- Although factory-set for 1-10V, each control channel can be individually configured for DALI operation using Dyalite's System Builder commissioning software on a connected PC or laptop.

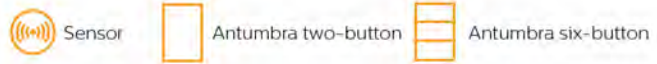
Ethernet connectivity*

- Enables network access to the school LAN for centralized monitoring and management.

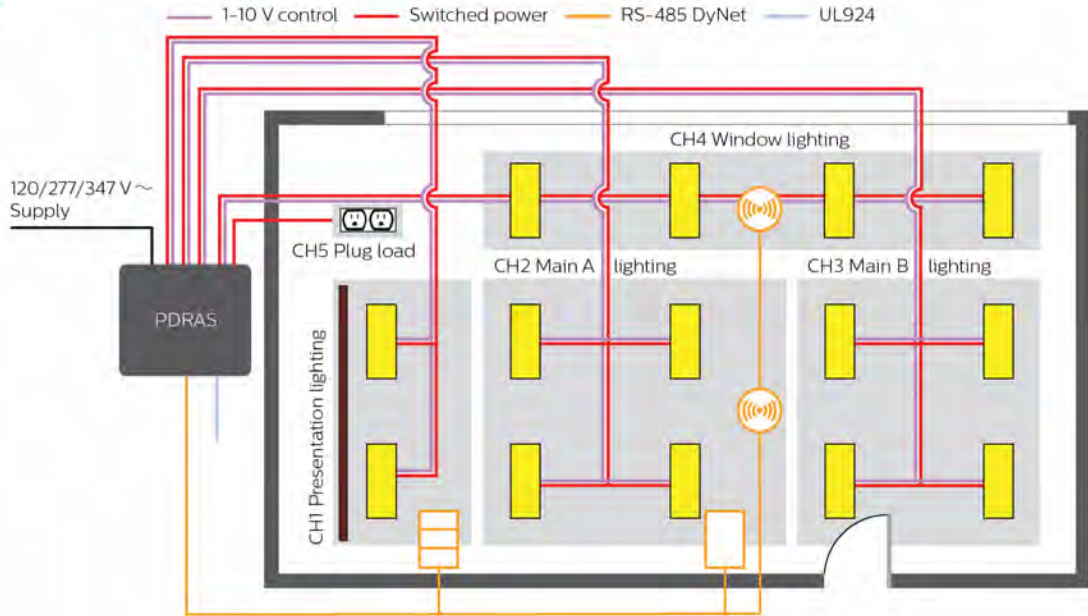
* Future provision for -E variants only, not enabled at release.



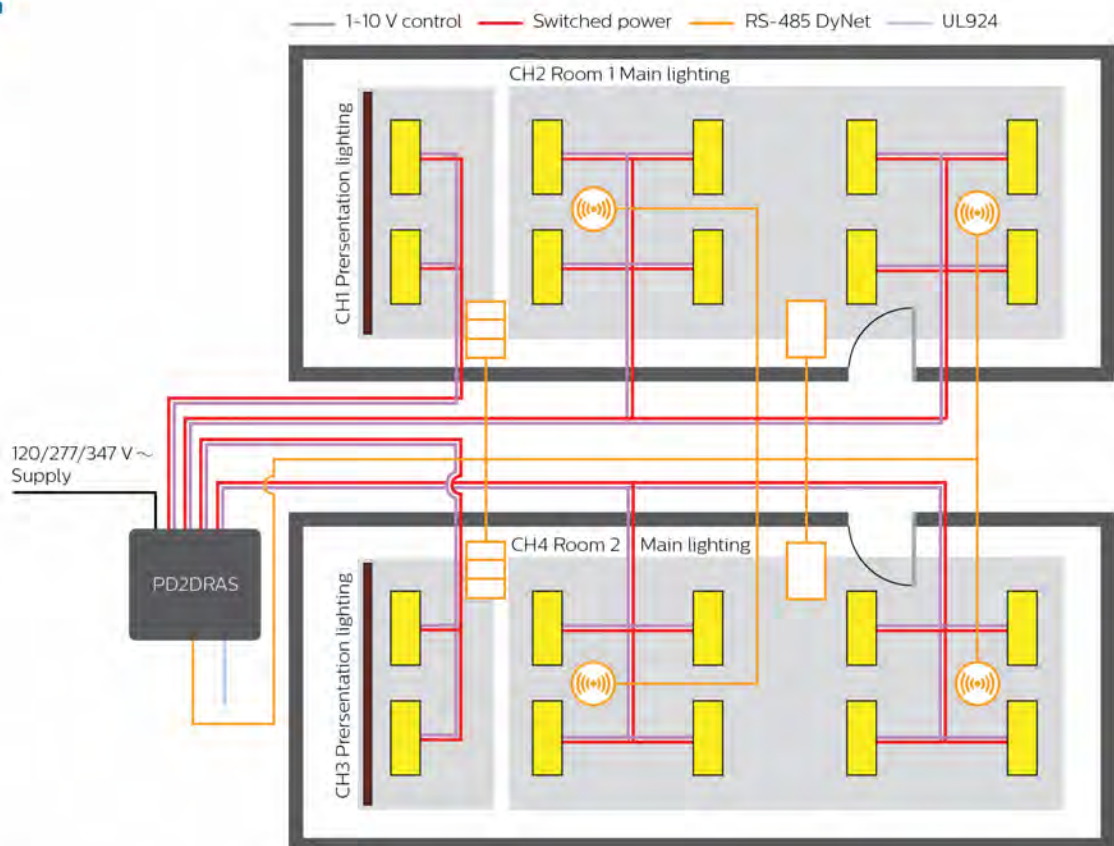
Philips Dynalite Room Automation System architecture



Single room system



Dual room system



- ! Only one ultrasonic sensor per room
- ! Sensor placement depends on local architecture

UV-C control system relay controllers (PDUVCC-NA)

Single-box solution

- Assembled, programmed, and tested in the factory to provide complete out-of-the-box functionality.

Integrated Antumbra Display

- Allows authorized users to adjust UV-C disinfecting dosage and monitor lamp life management. Includes multi-language support.

Physical key switch protection

- Helps to ensure that only authorized users can modify settings or activate the system.

External control inputs

- Robust, reliable connection to door switches, emergency shutoff buttons, and vacancy confirmation checkpoints

Motion sensor integration*

- Designed to work with Dynamite's best-in-class network sensors to automatically shut down the UV lamps if motion is detected in the disinfection area.

System status indicators

- Eight clearly labelled LEDs on the front of the enclosure show the device's status at a glance.

Onboard event logging

- All system events are logged and timestamped for reporting.

Ethernet connectivity

- Enables secure network access to configuration and event logs via System Manager head-end software.

* Sensors must not be relied on as a safety measure. The authorized user must always perform a visual check of the area before starting the cycle.



Disclaimer

This product's effectiveness in the inactivation of certain viruses, bacteria, protozoa, fungi or other harmful micro-organisms is as described in the product documentation. Signify and its group of companies do not promise or warrant that the use of the products will protect or prevent any user from infection and/or contamination with any viruses, bacteria, protozoa, fungi, illness or disease. The products are not approved for, are not intended and must not be used as medical devices. In addition to and without limitation of any exclusions or limitations of liability of Signify and its group of companies as set forth in any agreement for the sale, distribution or otherwise making available of the products, Signify and its group of companies shall have no responsibility or liability whatsoever for any claim or damage that may arise from or relate to any use of the products outside of their intended use.

Warnings and Cautions

- This UV-C product is not approved and/or certified as a medical device.
- This UV-C product cannot be used to disinfect the surfaces of medical devices (such as medical devices in a room, surgical masks and/or surgical respirators). The device cannot be used in medical settings. The device cannot be used for disinfection of human skin.
- UV-C radiation can damage the human eye and can cause severe sunburn-like reaction to the human skin.
- UV-C can have adverse effects on organics such as plants and animals.
- UV-C radiation may damage or discolor materials such as plastics and rubber, among others.
- UV-C products should be installed and maintained by a trained technician following installation instructions and user manual.



UV GERMICIDAL IRRADIATION SYSTEM